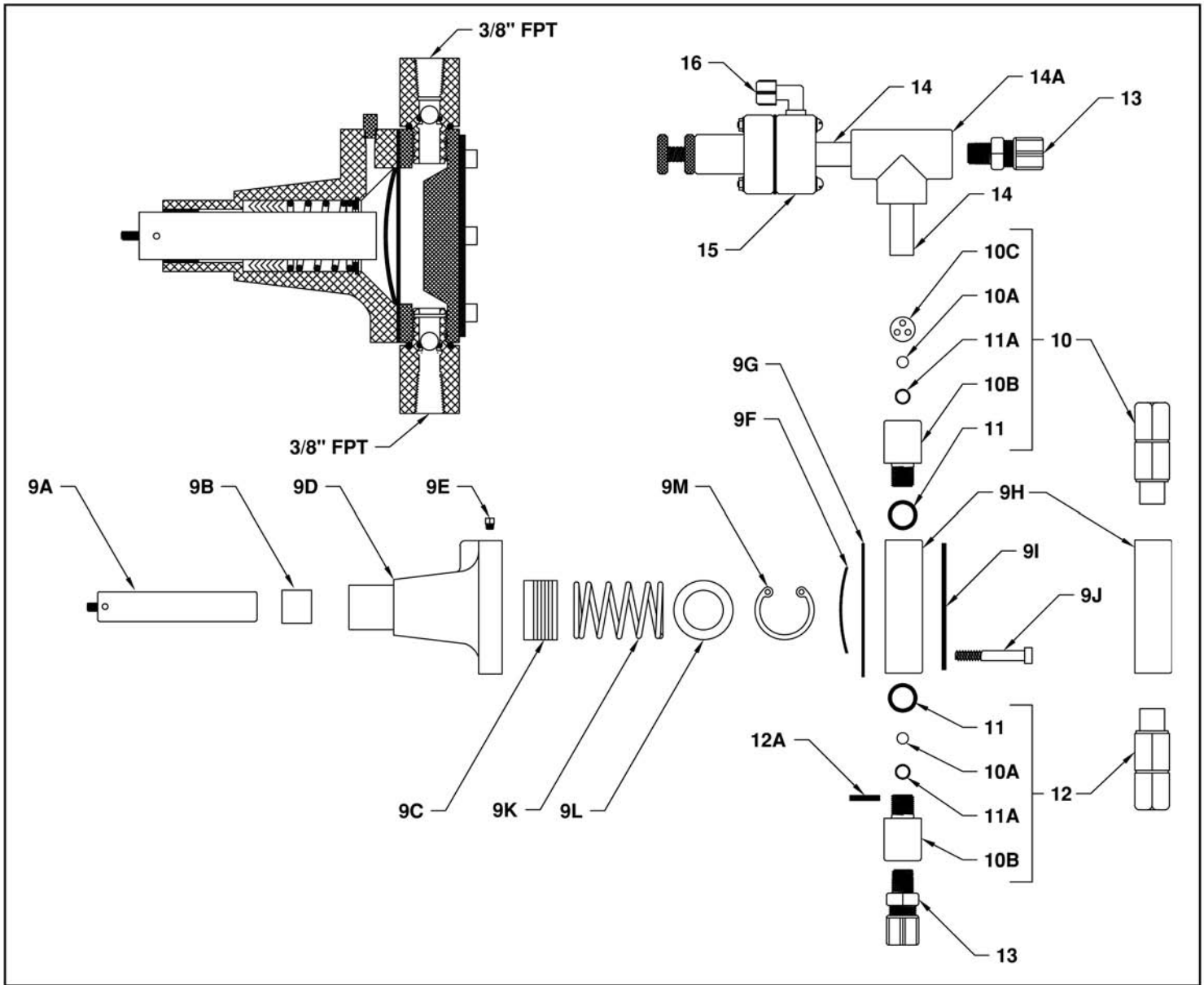


1" DIAPHRAGM HEAD PARTS



ITEM	PART #	DESCRIPTION
9	0100-6	1" POLYETHYLENE PUMP HEAD ASSEMBLY W/CHECKS**
9A	007-7H	1" DIAMETER HYDRAULIC PISTON
9B	008-20	1 1/8" X 1" X 3/4" LONG OILITE BUSHING
9C	012-7H	1" HYDRAULIC PACKING SET (BUNA N)
9D	001-1H	1" HYDRAULIC PUMP HEAD SHELL
9E	0006-2	1/8" PIPE PLUG
9F	030-H	5/8" & 1" HYDRAULIC PUMP HEAD SCREEN
9G*	026-H-2	5/8" & 1" HYDRAULIC PUMP HEAD TEFLON DIAPHRAGM (STANDARD)
	026-H-1	5/8" & 1" HYDRAULIC PUMP HEAD VITON DIAPHRAGM
	026-H-3	5/8" & 1" HYDRAULIC PUMP HEAD NEOPRENE DIAPHRAGM
9H	025-H-1	5/8" & 1" POLYETHYLENE PUMP HEAD (STANDARD)
	025-H-2	5/8" & 1" 303SS HYDRAULIC PUMP HEAD
	025-H-3	5/8" & 1" PVC HYDRAULIC PUMP HEAD
	025-H-4	5/8" & 1" 316SS HYDRAULIC PUMP HEAD
	025-H-5	5/8" & 1" ALLOY 20 HYDRAULIC PUMP HEAD
9I	029-H	CLAMP PLATE FOR POLYETHYLENE & PVC HEADS
9J	027-H	HYDRAULIC PUMP HEAD BOLTS (6 REQUIRED)
9K	017-10	1" PACKING SPRING
9L	017-8	1" SS PACKING WASHER
9M	015	SNAP RING

ITEM	PART #	DESCRIPTION
10*	002-DH	POLYETHYLENE DISCHARGE CHECK VALVE ASSEMBLY
	002-D	303SS DISCHARGE CHECK VALVE ASSEMBLY
10A	002-9	3/8" DIAMETER CERAMIC BALL CHECK
10B	002-1H	POLYETHYLENE CHECK VALVE BODY
10C	002-7H	BALL RETAINER DISC
11	028-H	3/4" X 1/8" CROSS SECTION VITON "O" RING SEAL
11A	028-S	VITON "O" RING SEAT
12*	002-SH	POLYETHYLENE SUCCION CHECK VALVE ASSEMBLY
	002-S	303SS SUCCION CHECK VALVE ASSEMBLY
12A	002-8H	BALL RETAINER PIN
13	38-38	3/8" NPT X 3/8" OD TUBE FITTING
14	050-P-38	3/8" NPT X 2" PVC NIPPLE
14A	050-P-16	3/8" NPT PVC TEE
15	36P	1/2" NPT POLYETHYLENE PRESSURE RELIEF VALVE
16	38-38-90	3/8" NPT X 3/8" OD TUBE ELBOW FITTING

OPTIONAL MATERIALS

- ** 303SS
- 316SS
- C20

C20 IS ALLOY 20

* RECOMMENDED SPARE PARTS

WARRANTY ON EQUIPMENT SUPPLIED BY A&F MACHINE PRODUCTS COMPANY

A&F Machine Products Company (A&F) warrants the components and workmanship of its products under normal use and service for a period of one year from date of shipment. All obligations and liabilities assumed under this warranty are limited to the repair or replacement, at our option, FOB A&F, of defective units that are returned. Improper use, application, or service voids all warranties. In any event, A&F shall not be liable for indirect or consequential damages arising out of the use of this equipment.

Warranty on equipment and accessories furnished by A&F, but not manufactured by A&F, shall be limited to the warranty of the respective equipment or accessory manufacturer for such units. In any event, A&F shall not be liable for indirect or consequential damages arising out of the provision or use of this equipment or accessory.

Shipping is FOB A&F Machine Products Co. in Berea, Ohio

FEDEX GROUND AND FEDEX AIR

MOST ORDERS LESS THAN 90# WILL BE SHIPPED VIA FEDEX GROUND, OR AIR IF SPECIFIED. WE DO NOT USE UPS. WE WILL SHIP PREPAY AND ADD UNLESS YOU SUPPLY A FEDEX ACCOUNT NUMBER. ORDERS OVER 90# WILL BE SHIPPED BY MOTOR FREIGHT.

MOTOR FREIGHT

ORDERS SHIPPED BY MOTOR FREIGHT ARE SHIPPED COLLECT OR BILLED TO A THIRD PARTY. PLEASE SPECIFY ON YOUR ORDER ANY PREFERENCE IN CARRIERS. ANY ORDER SHIPPED "PREPAID & ADD" WILL BE SUBJECT TO A \$30 HANDLING FEE.

EXPEDITE FEE

ALL PUMPS ARE CUSTOM BUILT PER ORDER. NORMALLY PUMP AND PACKAGED SYSTEM ORDERS ARE SHIPPED WITHIN 2 TO 3 DAYS AFTER RECEIPT OF THE ORDER. PUMP ORDERS REQUESTING SAME DAY OR NEXT DAY SHIPPING WILL BE HANDLED ON A FIRST COME FIRST SERVE BASIS AND WILL BE SUBJECT TO AN EXPEDITE FEE OF 25% OF THE INVOICE TOTAL. MOST PARTS ORDERS ARE SHIPPED FROM STOCK THE SAME DAY THEY ARE ORDERED. THERE IS A \$25 MINIMUM ON PARTS ORDERS.

RETURNS

EQUIPMENT THAT IS RETURNED FOR CREDIT IS SUBJECT TO INSPECTION BEFORE ANY CREDIT WILL BE ISSUED. GENERALLY, NEW AND UNUSED CATALOG ITEMS RECEIVED BACK AT A&F IN NEW AND UNUSED CONDITION IN IT'S ORIGINAL PACKAGING WILL BE SUBJECT TO A 15% RESTOCKING FEE. DAMAGED OR INCOMPLETE EQUIPMENT WILL BE CREDITED ACCORDINGLY. SPECIAL ORDER ITEMS OR ITEMS NOT LISTED IN THE CATALOG MAY NOT BE ELIGIBLE FOR CREDIT. ITEMS OR EQUIPMENT RETURNED FOR CREDIT MUST BE RETURNED FREIGHT PREPAID OR THEY WILL NOT BE ACCEPTED.



sales@novatech-usa.com

www.novatech-usa.com

Tel: (866) 433-6682

Fax: (866) 433-6684

Tel: (281) 359-8538

Fax: (281) 359-0084