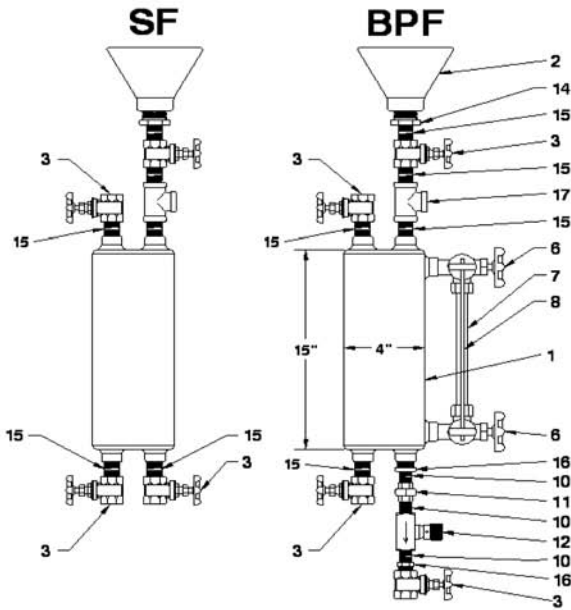
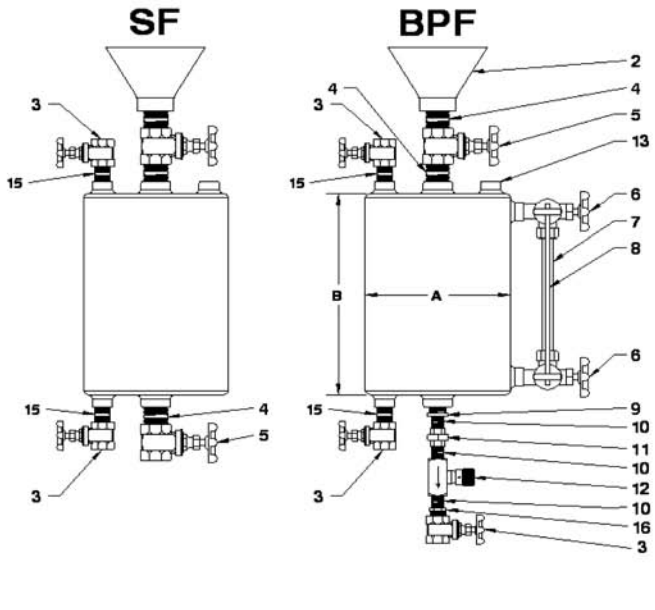


FEEDERS

3/4 GALLON



1 GALLON & LARGER



ORDERING INFORMATION

SF-2-HP

BLANK	125 PSI RATED VALVING
HP	300 PSI RATED VALVING
BO	BODY ONLY

GALLON CAPACITY

SF	SHOT FEEDER	150F
BPF	BY-PASS FEEDER	150F

DIMENSIONS		
GALLONS	A	B
1	6"	10"
1 1/2	6"	12"
2	8"	10"
2 1/2	8"	12"
5	10"	15"
10	10"	29"
18	14"	32"
25	18"	28"

#	DESCRIPTION
1	FEEDER BODY
2	POLY FUNNEL
3	1/2" NPT GATE VALVE
4	1" NPT NIPPLE
5	1" NPT GATE VALVE
6	1/2" NPT GAUGE VALVE
7	GAUGE GLASS
8	GLASS GUARDS
9	1" NPT X 3/8" NPT BUSHING
10	3/8" NPT NIPPLE
11	3/8" NPT UNION
12	3/8" NPT NEEDLE VALVE
13	1/2" NPT CONNECTION
14	1" NPT X 1/2" NPT BUSHING
15	1/2" NPT NIPPLE
16	1/2" NPT X 3/8" NPT BUSHING
17	1/2" NPT TEE

5 GALLON AND LARGER FEEDERS HAVE THREE 12" LEGS

125 PSI SHOT FEEDER INCLUDES (1) FEEDER BODY, (2) 1" GATE VALVES, (1) POLY FUNNEL, (2) 1/2" GATE VALVES, (3) 1" NIPPLES, (2) 1/2" NIPPLES

125 PSI BY-PASS FEEDER INCLUDES (1) FEEDER BODY, (1) 1" GATE VALVE, (3) 1/2" GATE VALVES, (1) GAUGE GLASS ASSEMBLY, (1) POLY FUNNEL, (2) 1" NIPPLES, (3) 3/8" NIPPLES, (1) 1" X 3/8" BUSHING, (1) 3/8" UNION, (1) 3/8" NEEDLE VALVE, (2) 1/2" NIPPLES, (1) 1/2" X 3/8" BUSHING

300 PSI SHOT FEEDER INCLUDES (1) FEEDER BODY, (2) 1/2" BALL VALVES, (2) 1/2" NIPPLES, (2) 1" BALL VALVES, (3) 1" NIPPLES, (1) POLY FUNNEL

PART #		PART #		PART #		PART #	
SF-3/4		BPF-3/4		SF-3/4-BO		SF-3/4-HP	
SF-1		BPF-1		SF-1-BO		SF-1-HP	
SF-1 1/2		BPF-1 1/2		SF-1 1/2-BO		SF-1 1/2-HP	
SF-2		BPF-2		SF-2-BO		SF-2-HP	
SF-2 1/2		BPF-2 1/2		SF-2 1/2-BO		SF-2 1/2-HP	
SF-5		BPF-5		SF-5-BO		SF-5-HP	
SF-10		BPF-10		SF-10-BO		SF-10-HP	
SF-18		BPF-18		SF-18-BO		SF-18-HP	
SF-25		BPF-25		SF-25-BO		SF-25-HP	

POLY FUNNEL ONLY

ADD THREE LEGS TO SMALLER FEEDERS

WARRANTY ON EQUIPMENT SUPPLIED BY A&F MACHINE PRODUCTS COMPANY

A&F Machine Products Company (A&F) warrants the components and workmanship of its products under normal use and service for a period of one year from date of shipment. All obligations and liabilities assumed under this warranty are limited to the repair or replacement, at our option, FOB A&F, of defective units that are returned. Improper use, application, or service voids all warranties. In any event, A&F shall not be liable for indirect or consequential damages arising out of the use of this equipment.

Warranty on equipment and accessories furnished by A&F, but not manufactured by A&F, shall be limited to the warranty of the respective equipment or accessory manufacturer for such units. In any event, A&F shall not be liable for indirect or consequential damages arising out of the provision or use of this equipment or accessory.

Shipping is FOB A&F Machine Products Co. in Berea, Ohio

FEDEX GROUND AND FEDEX AIR

MOST ORDERS LESS THAN 90# WILL BE SHIPPED VIA FEDEX GROUND, OR AIR IF SPECIFIED. WE DO NOT USE UPS. WE WILL SHIP PREPAY AND ADD UNLESS YOU SUPPLY A FEDEX ACCOUNT NUMBER. ORDERS OVER 90# WILL BE SHIPPED BY MOTOR FREIGHT.

MOTOR FREIGHT

ORDERS SHIPPED BY MOTOR FREIGHT ARE SHIPPED COLLECT OR BILLED TO A THIRD PARTY. PLEASE SPECIFY ON YOUR ORDER ANY PREFERENCE IN CARRIERS. ANY ORDER SHIPPED "PREPAID & ADD" WILL BE SUBJECT TO A \$30 HANDLING FEE.

EXPEDITE FEE

ALL PUMPS ARE CUSTOM BUILT PER ORDER. NORMALLY PUMP AND PACKAGED SYSTEM ORDERS ARE SHIPPED WITHIN 2 TO 3 DAYS AFTER RECEIPT OF THE ORDER. PUMP ORDERS REQUESTING SAME DAY OR NEXT DAY SHIPPING WILL BE HANDLED ON A FIRST COME FIRST SERVE BASIS AND WILL BE SUBJECT TO AN EXPEDITE FEE OF 25% OF THE INVOICE TOTAL. MOST PARTS ORDERS ARE SHIPPED FROM STOCK THE SAME DAY THEY ARE ORDERED. THERE IS A \$25 MINIMUM ON PARTS ORDERS.

RETURNS

EQUIPMENT THAT IS RETURNED FOR CREDIT IS SUBJECT TO INSPECTION BEFORE ANY CREDIT WILL BE ISSUED. GENERALLY, NEW AND UNUSED CATALOG ITEMS RECEIVED BACK AT A&F IN NEW AND UNUSED CONDITION IN IT'S ORIGINAL PACKAGING WILL BE SUBJECT TO A 15% RESTOCKING FEE. DAMAGED OR INCOMPLETE EQUIPMENT WILL BE CREDITED ACCORDINGLY. SPECIAL ORDER ITEMS OR ITEMS NOT LISTED IN THE CATALOG MAY NOT BE ELIGIBLE FOR CREDIT. ITEMS OR EQUIPMENT RETURNED FOR CREDIT MUST BE RETURNED FREIGHT PREPAID OR THEY WILL NOT BE ACCEPTED.



sales@novatech-usa.com

www.novatech-usa.com

Tel: (866) 433-6682

Fax: (866) 433-6684

Tel: (281) 359-8538

Fax: (281) 359-0084