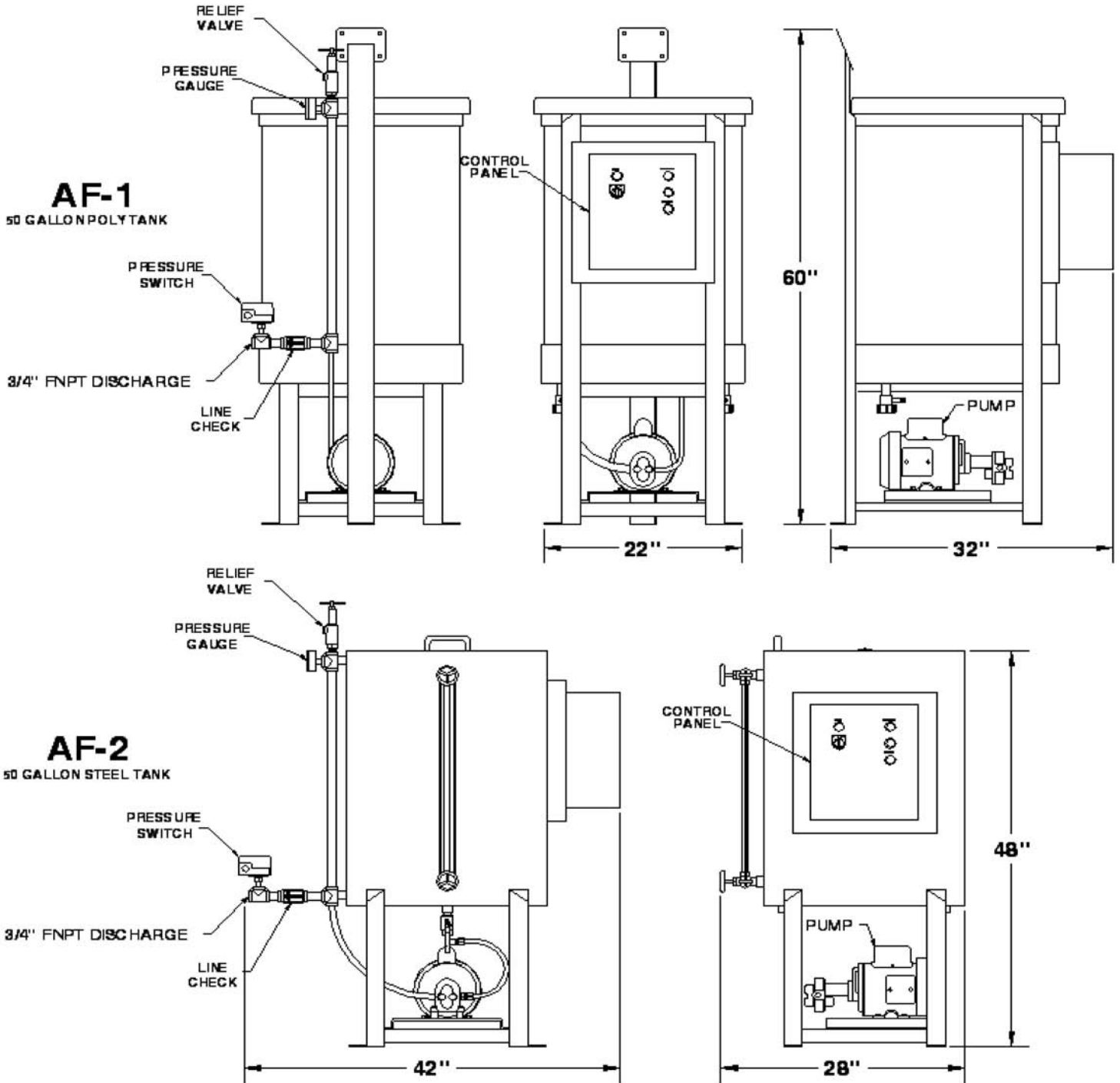


GLYCOL FEED EQUIPMENT



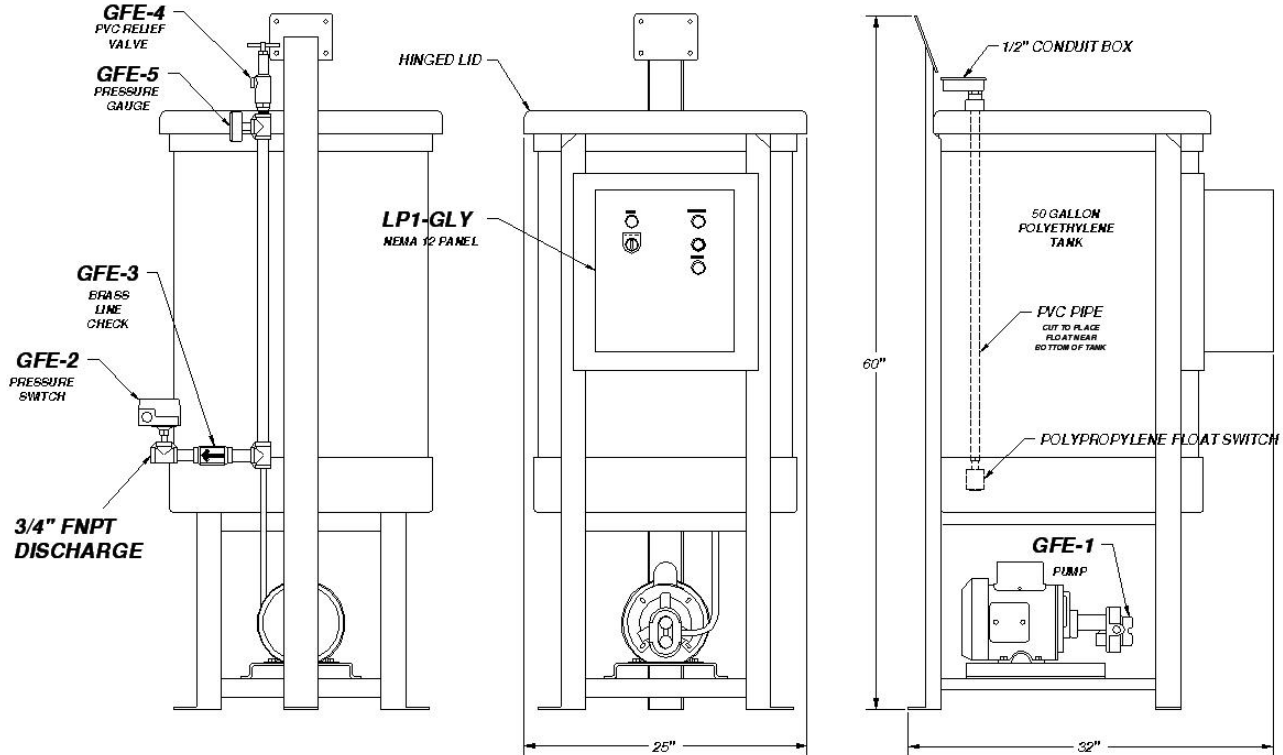
PART #	DESCRIPTION
GFE-1	3 GPM @60 PSI BRONZE GEAR PUMP W/1/2 HP 120 VAC MOTOR
GFE-2H	30-50 PSI PRESSURE SWITCH (STANDARD)
GFE-2L	5-10 PSI PRESSURE SWITCH (OPTIONAL)
GFE-3	3/4" NPT BRASS LINE CHECK
GFE-4	3/4" NPT NYLON PRESSURE RELIEF VALVE
GFE-5	0-100 PSI PRESSURE GAUGE
GFE-6	GLYCOL DISCHARGE PIPING ASSEMBLY (INCLUDES GFE-2-3-4-5)
LP1-GLY	CONTROL PANEL W/PUMP H-O-A SWITCH & LOW LEVEL ALARM
AF-1	ASSEMBLED 50 GALLON POLYETHYLENE GLYCOL PACKAGE
AF-2	ASSEMBLED 50 GALLON CARBON STEEL GLYCOL PACKAGE
AF-3	ASSEMBLED 50 GALLON OVERPACK GLYCOL PACKAGE
AF-4	ASSEMBLED 100 GALLON POLYETHYLENE GLYCOL PACKAGE

Glycol Feed Systems maintain a consistent operating pressure in a closed loop system allowing for a controlled level of glycol to be maintained in the loop.

The Glycol Feed System is a complete packaged unit consisting of a tank, pump, and control panel all assembled and prewired requiring only a power connection and discharge piping connection to the loop.

The bronze gear pump provides positive glycol feed to the loop and a pressure relief valve provides over pressure protection. A line check is provided to prevent glycol contamination from the loop system.

AF-1 GLYCOL SYSTEM



INSTALLATION & OPERATION:

- 1) Connect 120 VAC 20 Amp service to the control panel
- 2) Connect a 3/4" line from the 3/4" NPT discharge connection of the Glycol Feeder to the closed loop process system. It is recommended that a valve be installed in this line for the purpose of isolating the Glycol Feeder during maintenance.
- 3) Fill the Glycol Feeder supply tank with glycol.
- 4) With the 3/4" customer installed isolation valve closed, turn the glycol pump switch to **MAN** position and adjust the pressure relief valve on the top of the tank until the pressure gauge reads about 80 PSI. Turn the glycol pump switch to off and tighten the pressure relief valve lock nut. During normal operation the pressure relief valve will prevent the system pressure from ever exceeding 80 PSI.
- 5) The standard pressure switch supplied with the AF-1 Glycol Feeder is factory set to start the glycol pump when system pressure falls below 30 PSI and shut of the pump when the system pressure rises to 50 PSI. The optional pressure switch is on at 5 PSI and off at 21 PSI. With the glycol pump switch in the **AUTO** position, the system pressure will be maintained between the set limits of the pressure switch.
- 6) A low level sensing switch in the supply tank will shut off the glycol pump and sound an audible alarm should the liquid level in the tank fall to an unsafe level. Once the liquid in the supply tank is replenished, the pump will continue normal operation. A dry contact is wired to the terminal strip inside the glycol control panel which can be used to trigger a remote alarm at liquid low level.



WARRANTY ON EQUIPMENT SUPPLIED BY A&F MACHINE PRODUCTS COMPANY

A&F Machine Products Company (A&F) warrants the components and workmanship of its products under normal use and service for a period of one year from date of shipment. All obligations and liabilities assumed under this warranty are limited to the repair or replacement, at our option, FOB A&F, of defective units that are returned. Improper use, application, or service voids all warranties. In any event, A&F shall not be liable for indirect or consequential damages arising out of the use of this equipment.

Warranty on equipment and accessories furnished by A&F, but not manufactured by A&F, shall be limited to the warranty of the respective equipment or accessory manufacturer for such units. In any event, A&F shall not be liable for indirect or consequential damages arising out of the provision or use of this equipment or accessory.

Shipping is FOB A&F Machine Products Co. in Berea, Ohio

FEDEX GROUND AND FEDEX AIR

MOST ORDERS LESS THAN 90# WILL BE SHIPPED VIA FEDEX GROUND, OR AIR IF SPECIFIED. WE DO NOT USE UPS. WE WILL SHIP PREPAY AND ADD UNLESS YOU SUPPLY A FEDEX ACCOUNT NUMBER. ORDERS OVER 90# WILL BE SHIPPED BY MOTOR FREIGHT.

MOTOR FREIGHT

ORDERS SHIPPED BY MOTOR FREIGHT ARE SHIPPED COLLECT OR BILLED TO A THIRD PARTY. PLEASE SPECIFY ON YOUR ORDER ANY PREFERENCE IN CARRIERS. ANY ORDER SHIPPED "PREPAID & ADD" WILL BE SUBJECT TO A \$30 HANDLING FEE.

EXPEDITE FEE

ALL PUMPS ARE CUSTOM BUILT PER ORDER. NORMALLY PUMP AND PACKAGED SYSTEM ORDERS ARE SHIPPED WITHIN 2 TO 3 DAYS AFTER RECEIPT OF THE ORDER. PUMP ORDERS REQUESTING SAME DAY OR NEXT DAY SHIPPING WILL BE HANDLED ON A FIRST COME FIRST SERVE BASIS AND WILL BE SUBJECT TO AN EXPEDITE FEE OF 25% OF THE INVOICE TOTAL. MOST PARTS ORDERS ARE SHIPPED FROM STOCK THE SAME DAY THEY ARE ORDERED. THERE IS A \$25 MINIMUM ON PARTS ORDERS.

RETURNS

EQUIPMENT THAT IS RETURNED FOR CREDIT IS SUBJECT TO INSPECTION BEFORE ANY CREDIT WILL BE ISSUED. GENERALLY, NEW AND UNUSED CATALOG ITEMS RECEIVED BACK AT A&F IN NEW AND UNUSED CONDITION IN IT'S ORIGINAL PACKAGING WILL BE SUBJECT TO A 15% RESTOCKING FEE. DAMAGED OR INCOMPLETE EQUIPMENT WILL BE CREDITED ACCORDINGLY. SPECIAL ORDER ITEMS OR ITEMS NOT LISTED IN THE CATALOG MAY NOT BE ELIGIBLE FOR CREDIT. ITEMS OR EQUIPMENT RETURNED FOR CREDIT MUST BE RETURNED FREIGHT PREPAID OR THEY WILL NOT BE ACCEPTED.



sales@novatech-usa.com

www.novatech-usa.com

Tel: (866) 433-6682

Fax: (866) 433-6684

Tel: (281) 359-8538

Fax: (281) 359-0084