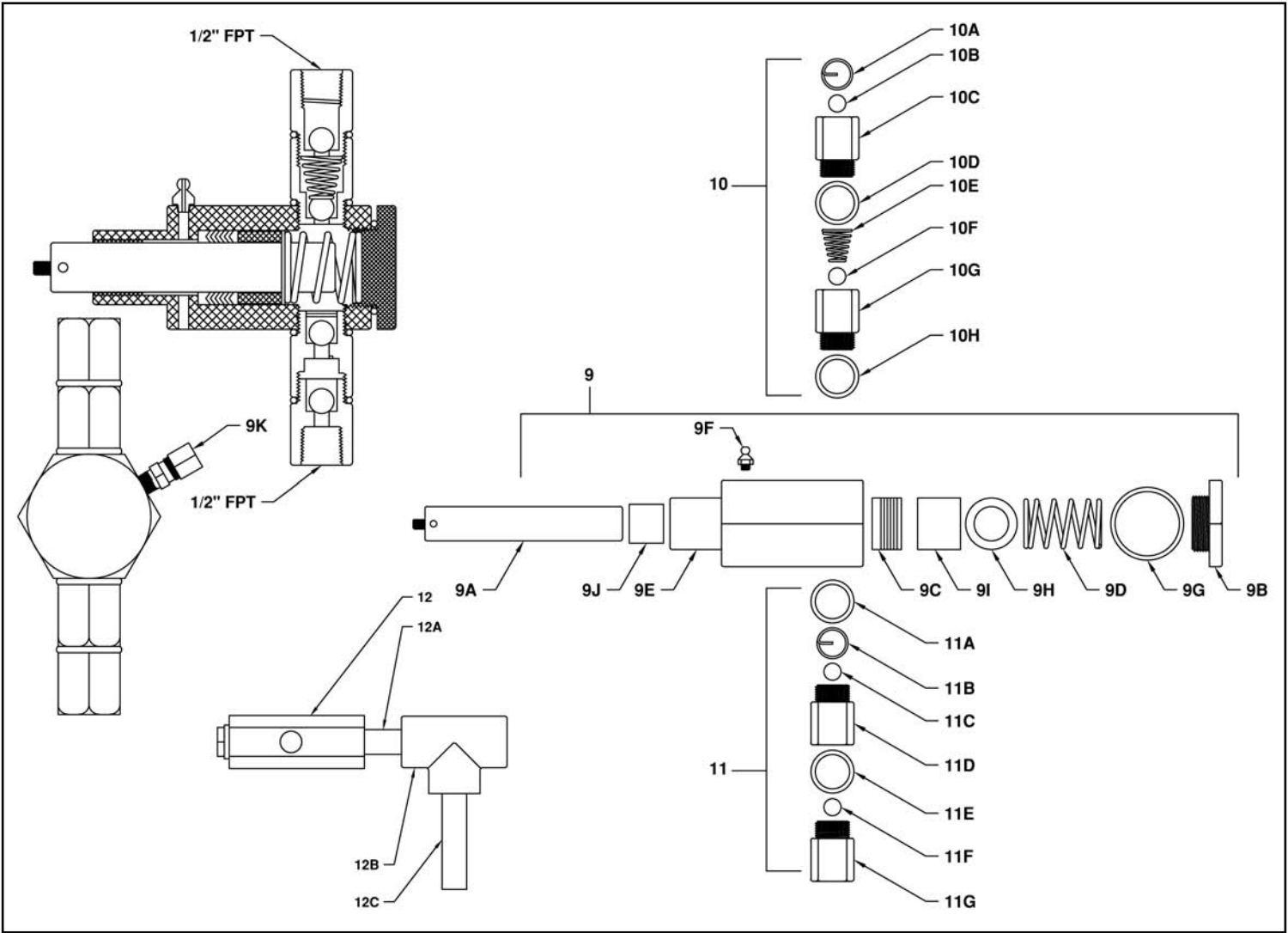


1" PISTON HEAD PARTS



ITEM	PART #	DESCRIPTION
9	1000-6	1" CS PISTON HEAD ASSEMBLY** (LESS CKS)
9A*	007-7	1" DIAMETER 303SS PISTON***
9B	003-7	1" CS END CAP
9C*	012-7	1" PACKING SET (BUNA N)****
9D	017-10	1" PACKING SPRING 316SS
9E	001-7	1" CS PUMP HEAD SHELL**
9F	006-1	GREASE FITTING
9G*	017-9	1 7/8" ID X 1/8" CROSS SECTION VITON "O" RING SEAL
9H	017-8	1" SS PACKING WASHER
9I	018-3	1" PACKING SPACER
9J	008-20	1 1/8" X 1" X 3/4" LONG OILITE BUSHING
9K	017-17-S	316SS PRIMING CHECK VALVE
10*	002-1"D	1" 303SS DISCHARGE CHECK VALVE ASSEMBLY***
10A	002-24	1/2" BALL RETAINER CLIP
10B	002-26	1/2" DIAMETER 316SS BALL CHECK
10C	002-20	1" TOP DISCHARGE CHECK BODY
10D	002-25	1" ID X 1/8" CROSS SECTION "O" RING SEAL

ITEM	PART #	DESCRIPTION
10E	002-27	ANTI-SIPHON CONE SPRING ALLOY 276
10F	002-26	1/2" DIAMETER 316SS BALL CHECK
10G	002-21	1" BOTTOM DISCHARGE CHECK BODY
10H	002-25	1" ID X 1/8" CROSS SECTION "O" RING SEAL
11*	002-1"S	1" 303SS SUCTION CHECK VALVE ASSEMBLY***
11A	002-25	1" ID X 1/8" CROSS SECTION "O" RING SEAL
11B	002-24	1/2" BALL RETAINER CLIP
11C	002-26	1/2" DIAMETER 316SS BALL CHECK
11D	002-22	1" TOP SUCTION CHECK BODY
11E	002-25	1" ID X 1/8" CROSS SECTION "O" RING SEAL
11F	002-26	1/2" DIAMETER 316SS BALL CHECK
11G	002-23	1" BOTTOM SUCTION CHECK BODY
12	36	1/2" NPT 303SS PRESSURE RELIEF VALVE
12A		1/2" NPT X 1 1/2" BLACK NIPPLE
12B		1/2" NPT BLACK TEE
12C		1/2" NPT X 2 1/2" BLACK NIPPLE

*** RECOMMENDED SPARE PARTS**

CS-CARBON STEEL
 C20-ALLOY 20

OPTIONAL MATERIALS

** 303SS
 316SS
 C20

*** 316SS
 C20

**** TEFLON
 VITON

WARRANTY ON EQUIPMENT SUPPLIED BY A&F MACHINE PRODUCTS COMPANY

A&F Machine Products Company (A&F) warrants the components and workmanship of its products under normal use and service for a period of one year from date of shipment. All obligations and liabilities assumed under this warranty are limited to the repair or replacement, at our option, FOB A&F, of defective units that are returned. Improper use, application, or service voids all warranties. In any event, A&F shall not be liable for indirect or consequential damages arising out of the use of this equipment.

Warranty on equipment and accessories furnished by A&F, but not manufactured by A&F, shall be limited to the warranty of the respective equipment or accessory manufacturer for such units. In any event, A&F shall not be liable for indirect or consequential damages arising out of the provision or use of this equipment or accessory.

Shipping is FOB A&F Machine Products Co. in Berea, Ohio

FEDEX GROUND AND FEDEX AIR

MOST ORDERS LESS THAN 90# WILL BE SHIPPED VIA FEDEX GROUND, OR AIR IF SPECIFIED. WE DO NOT USE UPS. WE WILL SHIP PREPAY AND ADD UNLESS YOU SUPPLY A FEDEX ACCOUNT NUMBER. ORDERS OVER 90# WILL BE SHIPPED BY MOTOR FREIGHT.

MOTOR FREIGHT

ORDERS SHIPPED BY MOTOR FREIGHT ARE SHIPPED COLLECT OR BILLED TO A THIRD PARTY. PLEASE SPECIFY ON YOUR ORDER ANY PREFERENCE IN CARRIERS. ANY ORDER SHIPPED "PREPAID & ADD" WILL BE SUBJECT TO A \$30 HANDLING FEE.

EXPEDITE FEE

ALL PUMPS ARE CUSTOM BUILT PER ORDER. NORMALLY PUMP AND PACKAGED SYSTEM ORDERS ARE SHIPPED WITHIN 2 TO 3 DAYS AFTER RECEIPT OF THE ORDER. PUMP ORDERS REQUESTING SAME DAY OR NEXT DAY SHIPPING WILL BE HANDLED ON A FIRST COME FIRST SERVE BASIS AND WILL BE SUBJECT TO AN EXPEDITE FEE OF 25% OF THE INVOICE TOTAL. MOST PARTS ORDERS ARE SHIPPED FROM STOCK THE SAME DAY THEY ARE ORDERED. THERE IS A \$25 MINIMUM ON PARTS ORDERS.

RETURNS

EQUIPMENT THAT IS RETURNED FOR CREDIT IS SUBJECT TO INSPECTION BEFORE ANY CREDIT WILL BE ISSUED. GENERALLY, NEW AND UNUSED CATALOG ITEMS RECEIVED BACK AT A&F IN NEW AND UNUSED CONDITION IN IT'S ORIGINAL PACKAGING WILL BE SUBJECT TO A 15% RESTOCKING FEE. DAMAGED OR INCOMPLETE EQUIPMENT WILL BE CREDITED ACCORDINGLY. SPECIAL ORDER ITEMS OR ITEMS NOT LISTED IN THE CATALOG MAY NOT BE ELIGIBLE FOR CREDIT. ITEMS OR EQUIPMENT RETURNED FOR CREDIT MUST BE RETURNED FREIGHT PREPAID OR THEY WILL NOT BE ACCEPTED.



sales@novatech-usa.com

www.novatech-usa.com

Tel: (866) 433-6682

Fax: (866) 433-6684

Tel: (281) 359-8538

Fax: (281) 359-0084