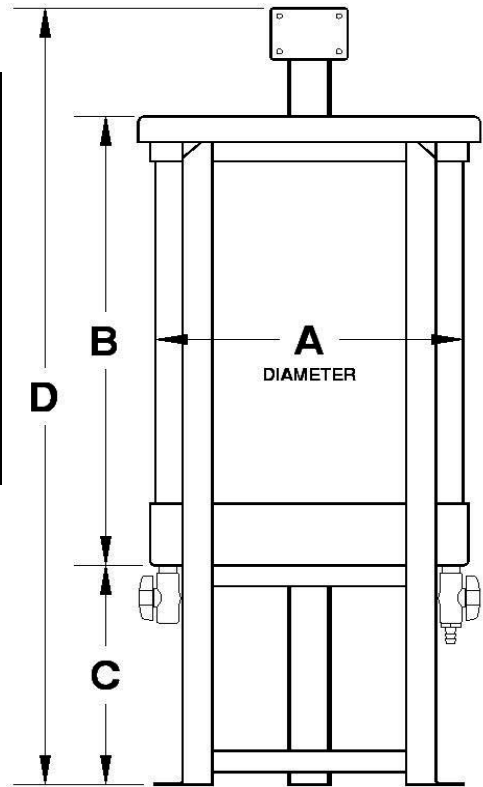


TANKS

POLYETHYLENE

CAPACITY GALLONS	WALL THK	DIMENSIONS				TANK & LID	TANK & LID ON STAND
		A	B	C	D	PART NUMBER	PART NUMBER
30	1/8"	18"	30"	12"	49"	030	103
50	1/8"	22"	34"	17"	60"	050	305
100	1/4"	28"	42"	18"	70"	0100	310
150	1/4"	36"	36"	18"	66"	0150	315
200	1/4"	36"	48"	20"	78"	0200	320
300	1/4"	51"	36"	20"	66"	0300	330
400	1/4"	51"	48"	20"	78"	0400	340
500	5/16"	51"	60"	20"	90"	0500	350



POLY TANK AND STANDS ARE SUPPLIED WITH A REMOVABLE LID, TWO 3/4" PVC BALL VALVES INSTALLED IN THE BOTTOM, AND A CARBON STEEL PIPING ASSEMBLY FOR ONE PUMP HEAD (AN ALL PLASTIC PIPING ASSEMBLY IS OPTIONAL). 50 AND 100 GALLON TANK STANDS HAVE 3 LEGS, ALL OTHERS HAVE 4 LEGS. ONLY THE 50 GALLON TANK STAND HAS THE UPPER SUPPORT RING. THE CARBON STEEL SUPPORT STAND IS PAINTED GRAY ENAMEL.

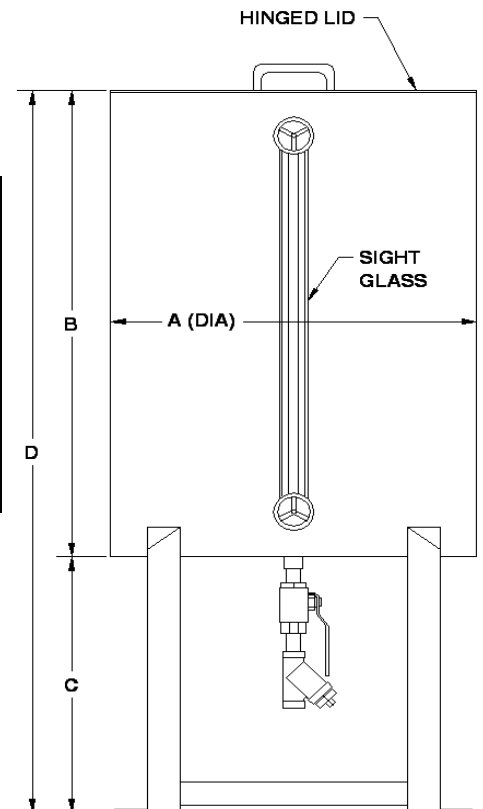
POLY TANKS ARE SUPPLIED WITH 3/4" NPT BOTTOM CONNECTIONS

OVERPACK (STEEL SHELL W/POLY LINER) VISUAL SLIT & REMOVABLE LID ARE STANDARD

CAPACITY GALLONS	GA SHELL	DIMENSIONS				PART NUMBER
		A	B	C	D	NUMBER
50	18	22"	34"	17"	60"	405

STEEL & STAINLESS STEEL

CAPACITY GALLONS	GA THK	DIMENSIONS				CARBON STEEL	304 STAINLESS
		A	B	C	D	PART NUMBER	PART NUMBER
50	10	23"	31"	17"	48"	205	605
100	10	36"	31"	20"	51"	210	610
150	10	36"	36"	20"	56"	215	615
200	10	36"	48"	20"	68"	220	620
250	10	36"	60"	20"	80"	225	625
300	10	46"	48"	20"	68"	230	630
500	10	46"	72"	18"	90"	250	650



STEEL AND STAINLESS STEEL TANKS ARE SUPPLIED WITH A HALF HINGED LID, CARBON STEEL VALVE & STRAINER, CARBON STEEL SUPPORT LEGS & BRASS GAUGE GLASS VALVES. SS VALVE, STRAINER, GAUGE GLASS VALVES, & SUPPORT LEGS ARE OPTIONAL ITEMS. TANKS ARE PAINTED GRAY ENAMEL.

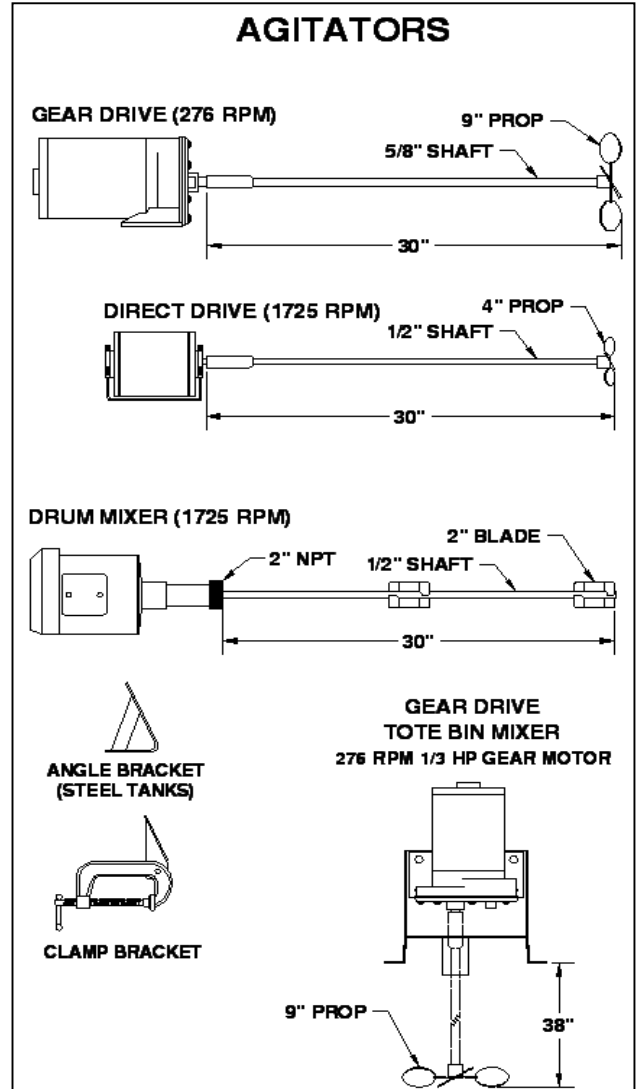
ONE OR TWO PUMPS CAN BE MOUNTED AND PIPED UNDER A SINGLE TANK. IF THREE OR MORE PUMPS ARE REQUIRED, ALL PUMPS WOULD BE MOUNTED AND PIPED ON A RAISED SIDE PLATFORM.

TANK ACCESSORIES

PART NUMBER		AGITATORS				PROP	
ANGLE MT	CLAMP MT	VAC/60 HZ	FRAME	HP	RPM	DIA	
612	611	120 1PH	TENV	1/4	1725	4"	
612-9	611-9	110/220 50HZ	TEFC	1/4	1725	4"	
712	711	120/240 1PH	EPFC	1/4	1725	4"	
012	011	230/460 3PH	EPFC	1/4	1725	4"	
912	911	230/460 3PH	TEFC	1/4	1725	4"	
422	421	120 1PH	TEFC	1/3	276	9"	
522	521	230/460 3PH	TEFC	1/3	276	9"	
613 (DRUM MIXER)		120 1PH	TEFC	1/3	1725	2"	
422 TBM		120 1PH	TEFC	1/3	276	9"	

PART #	AGITATOR ACCESSORIES DESCRIPTION
AG DD30	1/2" X 30" SS SHAFT W/4" PROP
AG GD30	5/8" X 30" SS SHAFT W/9" PROP
#16	HALAR COATING ON SHAFT & PROP
H134	REPLACEMENT MOTOR FOR #612 OR #611
K151	REPLACEMENT MOTOR FOR #912 OR #911
AG-4	SS 4" PROP W/SET SCREW & 1/2" BORE
AG-9	SS 9" PROP W/SET SCREW & 5/8" BORE

PART #	MISC TANK ACCESSORIES DESCRIPTION
030-1	REPLACEMENT 30 GALLON POLY LID
050-1	REPLACEMENT 50 GALLON POLY LID
0100-1	REPLACEMENT 100 GALLON POLY LID
10A	FLOATING COVER FOR 50 GALLON
10B	FLOATING COVER FOR 30 GALLON
10C	FLOATING COVER FOR 100 GALLON
31A	10A WITH AGITATOR SPOOL
31B	10B WITH AGITATOR SPOOL
31C	10C WITH AGITATOR SPOOL
#12	1/5 CU FT SS DISSOLVING BASKET
#13	120 VAC LOW LEVEL CUTOFF & ALARM
20	2 CU FT DISSOLVING BASKET
050-P-3	1/2" NPT PVC BULKHEAD FITTING
050-P-4	3/4" NPT PVC BULKHEAD FITTING
050-P-5	3/4" NPT PVC BALL VALVE FOR TANK DRAIN
050-P-5R	3/4" NPT PVC BALL VALVE FOR PUMP SUPPLY
050-P-6	1" NPT PVC BULKHEAD FITTING
050-P-7	1 1/2" NPT PVC BULKHEAD FITTING
050-P-8	2" NPT PVC BULKHEAD FITTING
EP	ADD ON FOR EPOXY PAINTING
HL	ADD ON FOR SS HINGE ON POLY LIDS
SP	SIDE MOUNT PLATFORM (PRICED PER PUMP)
PIPING	ADD ON FOR ADDITIONAL PIPING
SS PIPING	ADD ON FOR 316SS PIPING (PER PUMP HEAD)
SGV	BRASS SIGHT GLASS VALVES (METAL TANKS)
SS SGV	ADD ON FOR 316SS SIGHT GLASS VALVES



NOTE -STANDARD SHAFT LENGTH IS 30"
 -WHEN ORDERING WITH A TANK & STAND THE ANGLE MOUNT IS RECOMMENDED & THE SHAFT IS MADE TO FIT THE TANK DEPTH

TENV-TOTALLY ENCLOSED NON-VENTILATED
EPFC-EXPLOSION PROOF FAN COOLED
TEFC-TOTALLY ENCLOSED FAN COOLED

WARRANTY ON EQUIPMENT SUPPLIED BY A&F MACHINE PRODUCTS COMPANY

A&F Machine Products Company (A&F) warrants the components and workmanship of its products under normal use and service for a period of one year from date of shipment. All obligations and liabilities assumed under this warranty are limited to the repair or replacement, at our option, FOB A&F, of defective units that are returned. Improper use, application, or service voids all warranties. In any event, A&F shall not be liable for indirect or consequential damages arising out of the use of this equipment.

Warranty on equipment and accessories furnished by A&F, but not manufactured by A&F, shall be limited to the warranty of the respective equipment or accessory manufacturer for such units. In any event, A&F shall not be liable for indirect or consequential damages arising out of the provision or use of this equipment or accessory.

Shipping is FOB A&F Machine Products Co. in Berea, Ohio

FEDEX GROUND AND FEDEX AIR

MOST ORDERS LESS THAN 90# WILL BE SHIPPED VIA FEDEX GROUND, OR AIR IF SPECIFIED. WE DO NOT USE UPS. WE WILL SHIP PREPAY AND ADD UNLESS YOU SUPPLY A FEDEX ACCOUNT NUMBER. ORDERS OVER 90# WILL BE SHIPPED BY MOTOR FREIGHT.

MOTOR FREIGHT

ORDERS SHIPPED BY MOTOR FREIGHT ARE SHIPPED COLLECT OR BILLED TO A THIRD PARTY. PLEASE SPECIFY ON YOUR ORDER ANY PREFERENCE IN CARRIERS. ANY ORDER SHIPPED "PREPAID & ADD" WILL BE SUBJECT TO A \$30 HANDLING FEE.

EXPEDITE FEE

ALL PUMPS ARE CUSTOM BUILT PER ORDER. NORMALLY PUMP AND PACKAGED SYSTEM ORDERS ARE SHIPPED WITHIN 2 TO 3 DAYS AFTER RECEIPT OF THE ORDER. PUMP ORDERS REQUESTING SAME DAY OR NEXT DAY SHIPPING WILL BE HANDLED ON A FIRST COME FIRST SERVE BASIS AND WILL BE SUBJECT TO AN EXPEDITE FEE OF 25% OF THE INVOICE TOTAL. MOST PARTS ORDERS ARE SHIPPED FROM STOCK THE SAME DAY THEY ARE ORDERED. THERE IS A \$25 MINIMUM ON PARTS ORDERS.

RETURNS

EQUIPMENT THAT IS RETURNED FOR CREDIT IS SUBJECT TO INSPECTION BEFORE ANY CREDIT WILL BE ISSUED. GENERALLY, NEW AND UNUSED CATALOG ITEMS RECEIVED BACK AT A&F IN NEW AND UNUSED CONDITION IN IT'S ORIGINAL PACKAGING WILL BE SUBJECT TO A 15% RESTOCKING FEE. DAMAGED OR INCOMPLETE EQUIPMENT WILL BE CREDITED ACCORDINGLY. SPECIAL ORDER ITEMS OR ITEMS NOT LISTED IN THE CATALOG MAY NOT BE ELIGIBLE FOR CREDIT. ITEMS OR EQUIPMENT RETURNED FOR CREDIT MUST BE RETURNED FREIGHT PREPAID OR THEY WILL NOT BE ACCEPTED.



sales@novatech-usa.com

www.novatech-usa.com

Tel: (866) 433-6682

Fax: (866) 433-6684

Tel: (281) 359-8538

Fax: (281) 359-0084