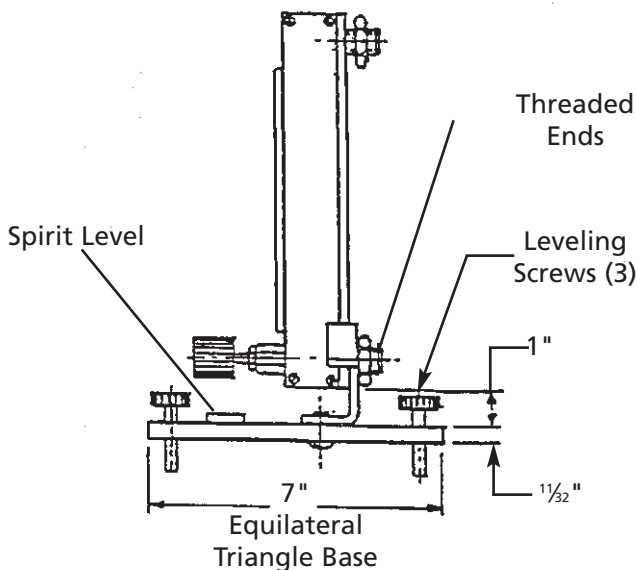


# INSTRUCTIONS



## For Mounting Flowmeter onto Bench Mount

Catalog No. 94040-9000



1. Remove the hex nut from the threaded inlet located at the rear of the Flowmeter.
2. Place the mounting bracket, which is supplied with the mounting kit, over the threaded end.
3. Replace the hex nut.
4. Remove the screw from the bottom of the bracket, line up the hole in the bracket with the hole in the plastic triangle, and screw into place.



**BEL-ART PRODUCTS**

661 Route 23 South, Wayne, NJ 07470-6814 USA  
TEL: 1-800-4BEL-ART • FAX: 973-694-7199 • [www.belart.com](http://www.belart.com)

940401042

01/03

Scienceware®, is a reg. TM of Bel-Art Products

Bel-Art Products assumes no obligation or liability for any advice furnished by it, or for results obtained with respect to these products. All such advice is given and accepted at the buyer's risk.