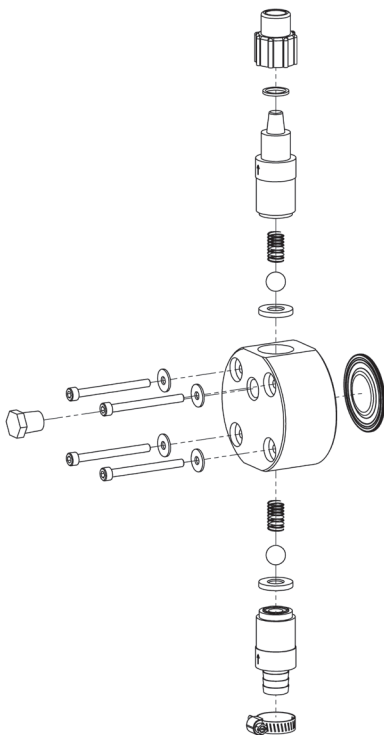
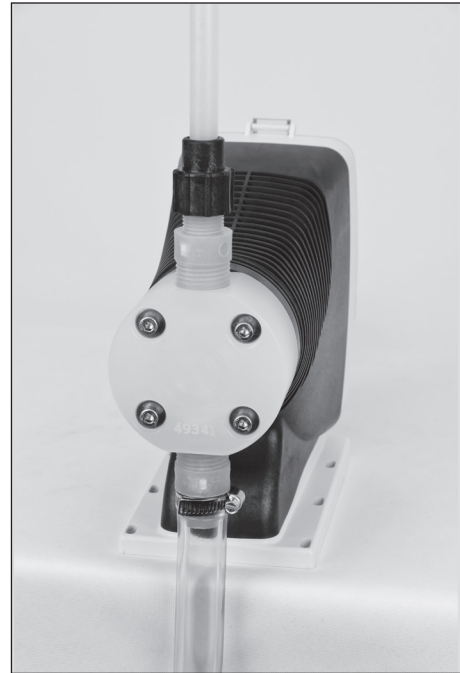


# Information Sheet

Roytronic EXCEL™

## High Viscosity Liquid Ends

- Pump polymers without dilution
- Pumps may be used with flooded suction or with as much as 3.5 ft (1m) of suction lift
- May be run dry without damage to liquid end or pump
- Pump polymers and other thixotropic viscous liquids with apparent viscosities up to 40,000 centipoise



**Choose from a wide variety of pump drive assemblies. Output capabilities from 0.005 gph (0.02 lph.) to 2 gph. (7.6 lph.) Your choice of manual or automatic stroke frequency control.**

**Liquifram™ size code must match pump drive assembly size code for compatibility. Consult LMI catalog or local LMI distributor or factory for more detailed information.**



**novatech**  
INTERNATIONAL

sales@novatech-usa.com  
www.novatech-usa.com  
Tel: (866) 433-6682 Fax: (866) 433-6684  
Tel: (281) 359-8538 Fax: (281) 359-0084

201 Ivyland Road  
Ivyland, PA 18974 USA  
TEL: (215) 293-0401  
FAX: (215) 293-0445  
<http://www.lmipumps.com>

## HIGH VISCOSITY LIQUID ENDS — SPECIFICATIONS

Liquid End P/N	LIQUIFRAM™ Size Code	Materials of Construction				Tubing & Connections Discharge / Suction
		Head / Fittings	Balls	Liquifram™	Seat/O-ring	
624VI	2	PP / PP	316ss	Fluorofilm™	PTFE	PE .5" O.D. / Vinyl .938" O.D.
624VP	2	PP / PP	316ss	Fluorofilm™	PTFE	1/2" NPT / Vinyl .938" O.D.
624PI	2	PP / PP	316ss	Fluorofilm™	PTFE	PE .5" O.D. / Vinyl .938" O.D.
624PP	2	PP / PP	316ss	Fluorofilm™	PTFE	1/2" NPT / Vinyl .938" O.D.
626VI	2	Acrylic / PP	316ss	Fluorofilm™	Viton®	PE .5" O.D. / Vinyl .938" O.D.
634VI	3	PP / PP	316ss	Fluorofilm™	PTFE	PE .5" O.D. / Vinyl .938" O.D.
634VP	3	PP / PP	316ss	Fluorofilm™	PTFE	1/2" NPT / Vinyl .938" O.D.
634PI	3	PP / PP	316ss	Fluorofilm™	PTFE	PE .5" O.D. / Vinyl .938" O.D.
634PP	3	PP / PP	316ss	Fluorofilm™	PTFE	1/2" NPT / Vinyl .938" O.D.
636VI	3	Acrylic / PP	316ss	Fluorofilm™	Viton®	PE .5" O.D. / Vinyl .938" O.D.
644VI	4	PP / PP	316ss	Fluorofilm™	PTFE	PE .5" O.D. / Vinyl .938" O.D.
644VP	4	PP / PP	316ss	Fluorofilm™	PTFE	1/2" NPT / Vinyl .938" O.D.
644PI	4	PP / PP	316ss	Fluorofilm™	PTFE	PE .5" O.D. / Vinyl .938" O.D.
644PP	4	PP / PP	316ss	Fluorofilm™	PTFE	1/2" NPT / Vinyl .938" O.D.
646VI	4	Acrylic / PP	316ss	Fluorofilm™	Viton®	PE .5" O.D. / Vinyl .938" O.D.

All high viscosity liquid ends are equipped with 1/2" male NPT fittings for connection to both supply reservoir and injection point.

**VI** indicates standard high viscosity head with inch tubing.

**VP** indicates standard high viscosity head with pipe connections on the discharge.

**PI** indicates high viscosity head with optional priming port and inch tubing.

**PP** indicates high viscosity head with optional priming port and pipe connections on the discharge.

**Note:** Pipe connections and priming port are not available with Acrylic heads.

### TYPICAL INSTALLATION

