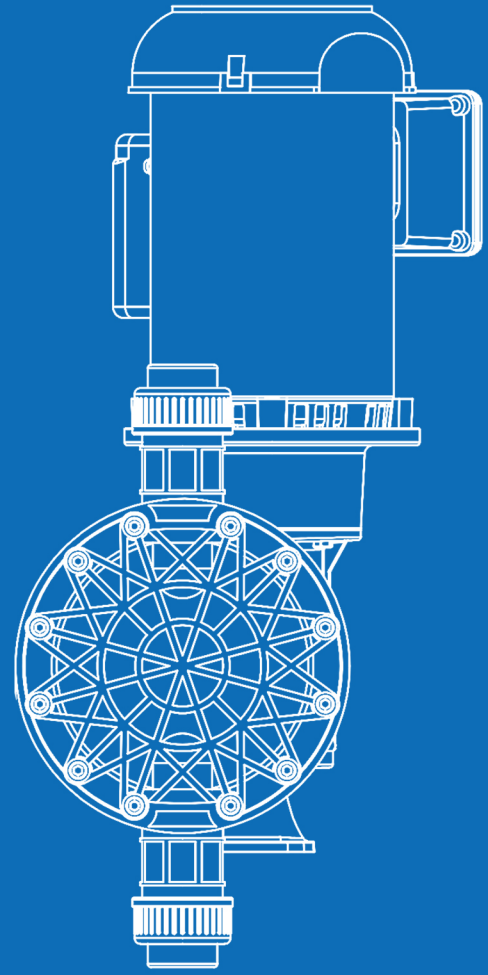


# ▶ blackline ▶



## FEATURES

- Flow Rate from 7 gph (26 l/h) to 357 gph (1,350 l/h)
- Max Pressure 150 psi (10 Bar)
- Liquid end materials - Polypropylene, PVDF & 316 SS
- Rugged double-sided PTFE faced, long life diaphragm
- Manual stroke length adjustment
- Cataphoresis coated aluminum enclosure for greater corrosion resistance
- Standard NEMA 56C or IEC71 motor frames available

## OPTIONAL FEATURES

- 6 types of connection including 4-20mA and MODBUS
- 10 different operating modes to fit any type of dosing application

## APPLICATIONS



Industrial Water  
Treatment



Clear Drinking  
Water



Power Generation



Food & Beverage



Waste Water  
Treatment



Pulp & Paper



Chemical &  
Petrochemical



Mining

# MODELS

MODEL		MD1A	MD1B	MD1C	MD1D	MD1E	MD2F	MD2J	MD2K	MD3G	MD3H	MD4L	MD4N	MD4P
Max Flow	GPH	7	14	22	29	35	59	79	98	132	164	254	302	357
	LPH	26	53	83	110	132	223	299	371	500	620	960	1140	1350
Max Pressure	PSI	150	150	150	150	150	90	90	75	75	50	75	75	75
	Bar	10	10	10	10	10	7	6	5	5	3.5	5	5	5
Strokes/Minute	SPM	84	60	84	116	138	84	118	138	118	138	84	114	138
Viscosity	CPS	1000												
Connections	NPT	1/2"					3/4"			1"	1-1/2"			
	BSPT-F	3/8"												

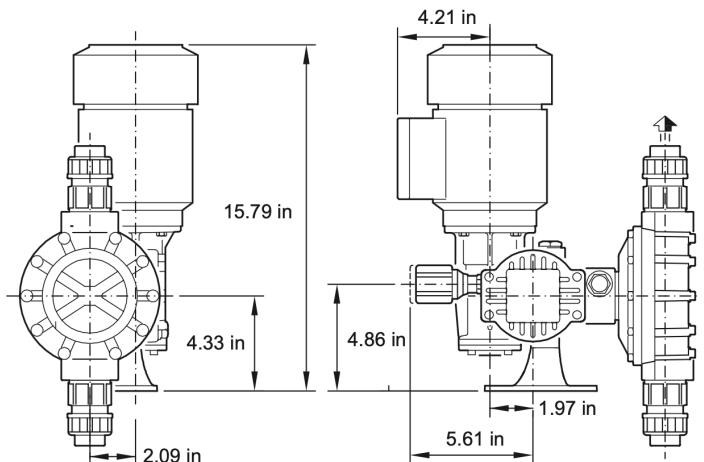
# ENGINEERING DATA

Max. Flow	357 gph / 1,350 lph
Max. Pressure	150 psi / 10 bar
Max. Stroke Frequency SPM	60 - 138 strokes/min depending on model
Max. Liquid Temperature	14°F to 104°F / -10°C to 40°C
Accuracy of Repeatability	±2% at maximum capacity
Stroke Length Turndown Ratio	10:1
Turndown Ratio	10:1; 100:1 with VFD
Oil Capacity	16.9 oz (0.5 L)
Power Supply	115VAC/60Hz/1 ph 230VAC/50-60Hz/ 1ph or 3ph
Max. Temperature	14°F to 104°F / -10°C to 40°C
Liquid End Materials Available	GFPP Head & Valves PVDF Head & Valves 316 SS Head & Valves
Valve Seat Materials	PVC on GFPP Liquid End PTFE on PVDF Liquid End 316 SS on 316 SS Liquid End
Valve Check Ball Materials	Pyrex on GFPP and PVDF Liquid End 316 SS on 316 SS Liquid End Hastelloy C-276 (Optional Construction)

# WEIGHT

MODEL NO.	WEIGHT PLASTIC (LBS)	WEIGHT STAINLESS (LBS)
MD1A (NO MOTOR)	21.5	26
MD1B (NO MOTOR)	21.5	26
MD1C (NO MOTOR)	21.5	26
MD1D (NO MOTOR)	21.5	26
MD1E (NO MOTOR)	21.5	26
MD2F (NO MOTOR)	26	37
MD2J (NO MOTOR)	26	37
MD2K (NO MOTOR)	26	37
MD3G (NO MOTOR)	29	46
MD3H (NO MOTOR)	32	55
MD4L (NO MOTOR)	32	55
MD4N (NO MOTOR)	32	55
MD4P (NO MOTOR)	32	55

# DIMENSIONS



AlfaOBL America Inc.

1000 Jupiter Rd #300  
Plano, Texas 75074  
Tel: 469-613-3030

www.alfaobl.com



sales@novatech-usa.com  
www.novatech-usa.com  
Tel: (866) 433-6682 Fax: (866) 433-6684  
Tel: (281) 359-8538 Fax: (281) 359-0084