

Integrated Tank Systems

Pulsafeeder's ITS System is a completely integrated tank system constructed of UV resistant polyethylene (PE) with a 15 gallon capacity. This tank system is translucent with 5 gallon increments and the tank's low level indicator allows visual monitoring of chemicals without opening the tank. The tight fitting child proof lid keeps the chemical free of contaminants and protects the surrounding area from chemical fumes.

The ITS System also allows for easy access to the liquid end and control panel of the mounted pump.

A system consists of a chemical tank with lid and bulkhead fittings: a liquid level indicator float assembly and feeder mounting hardware.



FEATURES

- Liquid Level Wand: The tank's low level indicator allows visual monitoring of chemical supply without opening the tank.
- Child Proof Lid: The tight fitting lid keeps the chemical free of contaminants.
- Flooded Suction: The flooded suction allows for continuous pumping without loss of prime.
- Universal Pump Mount: The "ITS" is predrilled for all pumps listed.
- Built-in Grip: For easy lifting and moving of ITS System.
- Optional Shut-Off Valve: Available in PVC, allows maintenance on metering pump without emptying chemical.

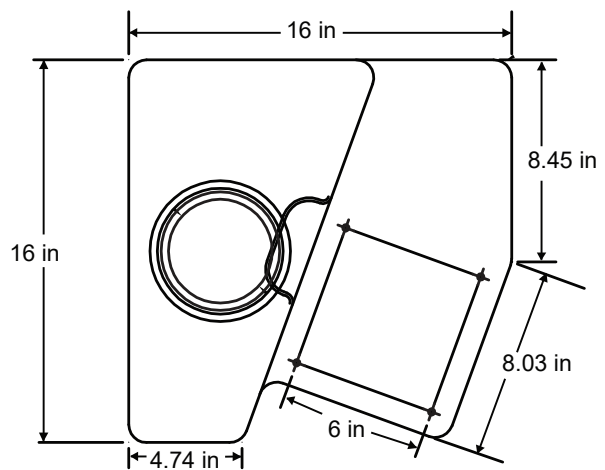
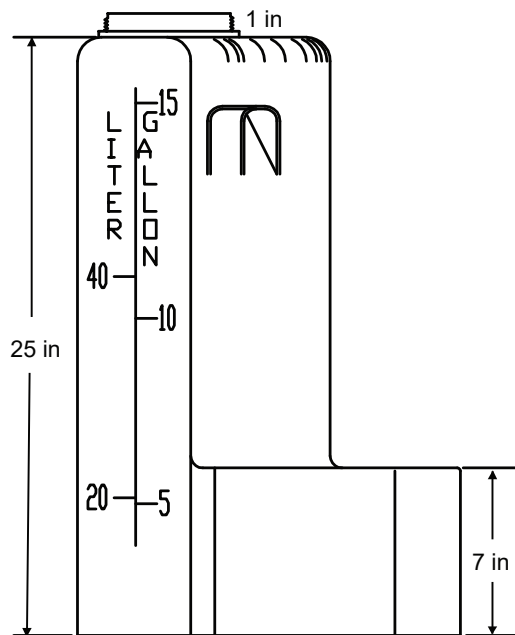
OPERATING BENEFITS

- Simple installation.
- Easy to maintain with low level indicator.
- Secure tight fitting lid.

SPECIFICATIONS AND MODEL SELECTION

Pump Type	Pump Series	Housing	Tube Connection Size	Part Number
Chem-Tech	XP / XPV	NA	1/4"	J63063
	Series 100		3/8"	J40489
	Series 100		1/2"	J40490
PULSAtron	'1' or 'J' Connection	Series A+, C, C+, E (except below)	3/8"	J40492
	'1' or 'J' Connection	E (LE33-44) and E+	3/8"	J40495

DIMENSIONS



27101 Airport Road
Punta Gorda, FL 33982
Tel: (941) 575-3800
Fax: (941) 575-4085
www.pulsafeeder.com



An ISO Certified Company

