

5-FUNCTION DEGAS VALVE

SPECIFICATIONS:

Material of construction:

Valve body: **Polyvinylidene Fluoride (PVDF)**
 : **Polyvinyl Chloride (PVC)**

Diaphragm: **PTFE faced Hypalon**

O-rings: **Viton or Hypalon**

Hardware: **18-8 Stainless Steel (recessed)**

Maximum Pressure: **250-PSI**

Maximum Flow: **240-GPD**

Maximum Viscosity: **1000-CPS**

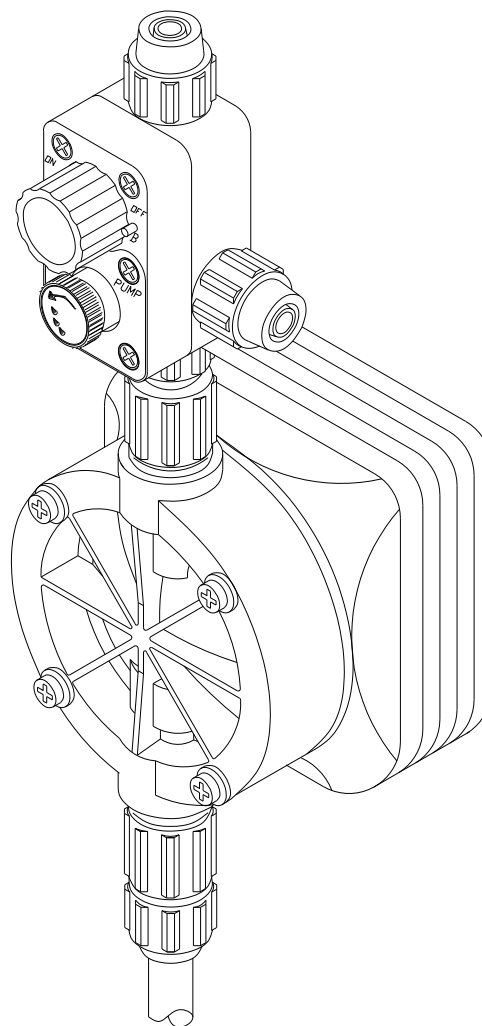
Note: Degas/bypass volume is adjustable, typically 1-10%.

Connections: **.25in NPT (male)**

.38in I.D. x .50in O.D. TUBING

.25in I.D. x .38in O.D. TUBING

G-1/2-A (metric)



METRIC TUBING COUPLING NUT KITS

4x6mm Tubing.....L9909100-HPV

4x10mm Tubing.....L9909200-HPV

6x10mm Tubing.....L9909201-HPV

6x12mm Tubing.....L9909300-HPV

10x14mm Tubing.....L9909400-HPV

10x16mm Tubing.....L9909401-HPV

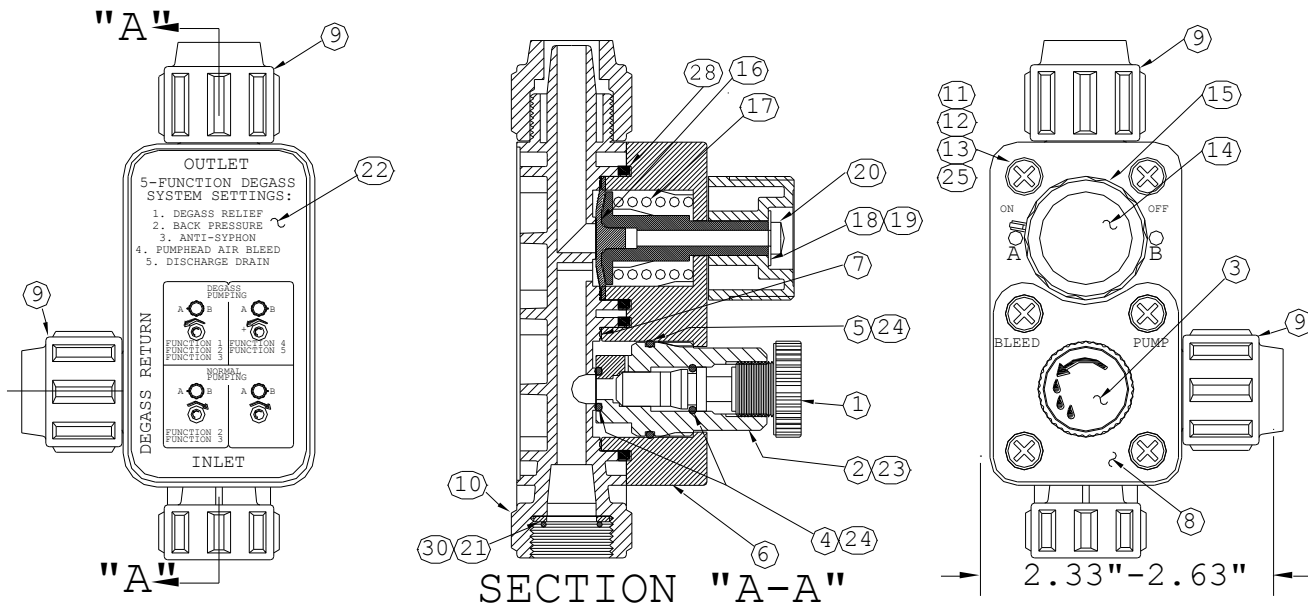
.38"-O.D.TUBING CONN.		4x6mm METRIC TUBING.	
MODEL #	VLV.BODY MATERIAL	MODEL #	VLV.BODY MATERIAL
L385KH01-PVD	PVDF	L385KH0P-PVD	PVDF
L385KV01-PVD	PVDF	L385KV0P-PVD	PVDF

.50"-O.D.TUBING CONN.		4x10mm METRIC TUBING.	
MODEL #	VLV.BODY MATERIAL	MODEL #	VLV.BODY MATERIAL
L385KH03-PVD	PVDF	L385KH0N-PVD	PVDF
L385KV03-PVD	PVDF	L385KV0N-PVD	PVDF

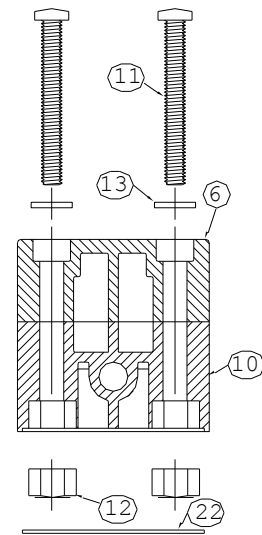
.25"-MALE NPT CONN.		10x14mm METRIC TUBING.	
MODEL #	VLV.BODY MATERIAL	MODEL #	VLV.BODY MATERIAL
L385KH02-PVD	PVDF	L385KH0Q-PVD	PVDF
L385KV02-PVD	PVDF	L385KV0Q-PVD	PVDF

6x10mm METRIC TUBING.		6x12mm METRIC TUBING.	
MODEL #	VLV.BODY MATERIAL	MODEL #	VLV.BODY MATERIAL
L385KH0S-PVD	PVDF	L385KH0Y-PVD	PVDF
L385KV0S-PVD	PVDF	L385KV0Y-PVD	PVDF

G-1/2-A METRIC PIPING		10x16mm METRIC TUBING.	
MODEL #	VLV.BODY MATERIAL	MODEL #	VLV.BODY MATERIAL
L385KH0R-PVD	PVDF	L385KH0W-PVD	PVDF
L385KV0R-PVD	PVDF	L385KV0W-PVD	PVDF
L385KH0M-PVD	PVDF		
L385KV0M-PVD	PVDF		



ITEM	PART #	DESCRIPTION	QTY
1	L1110200-PVD	SHAFT AS'Y, VALVE SCREW, 5-FUNCT/DEGAS	1
2	L1110000-PVD	ADAPTER(PVDF), CONVERSION VLV 5-FUNCT/DEGAS	1
3	L1701305-000	LABEL, DECAL BLEED SCREW	1
4	L1501100-HYP	O-RING(HYP), #2-010	1
	L1501100-VTN	O-RING(VTN), #2-010	1
5	W078200-HYP	O-RING(HYP), #2-018	2
	W078200-VTN	O-RING(VTN), #2-018	2
6	L1109900-PVD	BLOCK(PVDF), MODIFIED VLV 5-FUNCT/DEGAS	1
7	L1503300-HYP	GASKET(HYP), FLAT	1
	L1503300-VTN	GASKET(VTN), FLAT	1
8	L1713700-000	LABEL, BLEED/PUMP DECAL 5-FUNCT/DEGAS	1
9	L1100300-PVD	NUT(PVDF), COUPLING .38in.-TUBE	2
	L1100400-PVD	NUT(PVDF), COUPLING .50in.-TUBE	2
10	L1104000-PVD	BODY(PVDF), VALVE .38in.-TUBE 5-FUNCTION	1
	L1104100-PVD	BODY(PVDF), VALVE .50in.-TUBE 5-FUNCTION	1
	L1103900-PVD	BODY(PVDF), VALVE .25 NPT 5-FUNCTION	1
11	L9804700-188	SCREW(SST), #10-32 x1.5in.-lg. PHP	6
12	L9809700-188	NUT(SST), #10-32 x .25 thk. HEX	6
13	L9805001-000	WASHER(SST), #10-FLAT	6
14	L1701600-000	LABEL(BLK), STROKE LENGTH KNOB DECAL	1
15	L1900600-FPP	KNOB(FPP-BLK), ADJUSTMENT 5-FUNCT/DEGAS	1
16	L0301900-000	DIAPHRAGM AS'Y, 5-FUNCT/DEGAS VALVE	1
17	L1104600-000	SPRING, VALVE 150-PSI 5-FUNCT/DEGAS	1
18	L9904400-188	SPRING(SST), CURVED WASHER	1
19	L9804600-188	WASHER(SST), FLAT .19 x .56 5-FUNCTION	1
20	06-008-26	SCREW(SST), #8 x 1.0in.-lg. TYPE-1	1
21	L1501200-TFE	GASKET(TFE), 2-013	1
22	L1713500-000	LABEL, INSTRUCTION DECAL 5-FUNCT/DEGAS	1
23	L9902100-188	PIN(SST), ROLL \U+2205.06x.63in.-lg.	2
24	L1110000-PVD	ADAPTER, CONVERSION VALVE 5-FUNCT/DEGAS	1
25	J00003	LUBE, SILICONE	A/R
26	L9407500-000	MANUAL, 5-FUNCTION/DEGAS	1
27	L1715xxx-00D	LABEL, DECAL 5-FUNCTION/DEGAS	1
28	L1504100-000	O-RING, .989 X 1.121 X .066 VITON	2
30	J27903	GSK(TFE)..05X.455X.69	1



NOTES:

1. WHEN INSTALLING O-RINGS(IT.#20 & #21), LUBE WITH LUBE, SILICONE (IT.#26) TO PREVENT O-RING DAMAGE.
2. INSTALL CONVERSION VALVE ADAPTER(IT.#25) WITH SMALL BYPASS HOLE IN A VERTICAL POSITION TOWARDS TOP ADJ. KNOB(IT.#7).



sales@novatech-usa.com
 www.novatech-usa.com
 Tel: (866) 433-6682 Fax: (866) 433-6684
 Tel: (281) 359-8538 Fax: (281) 359-0084