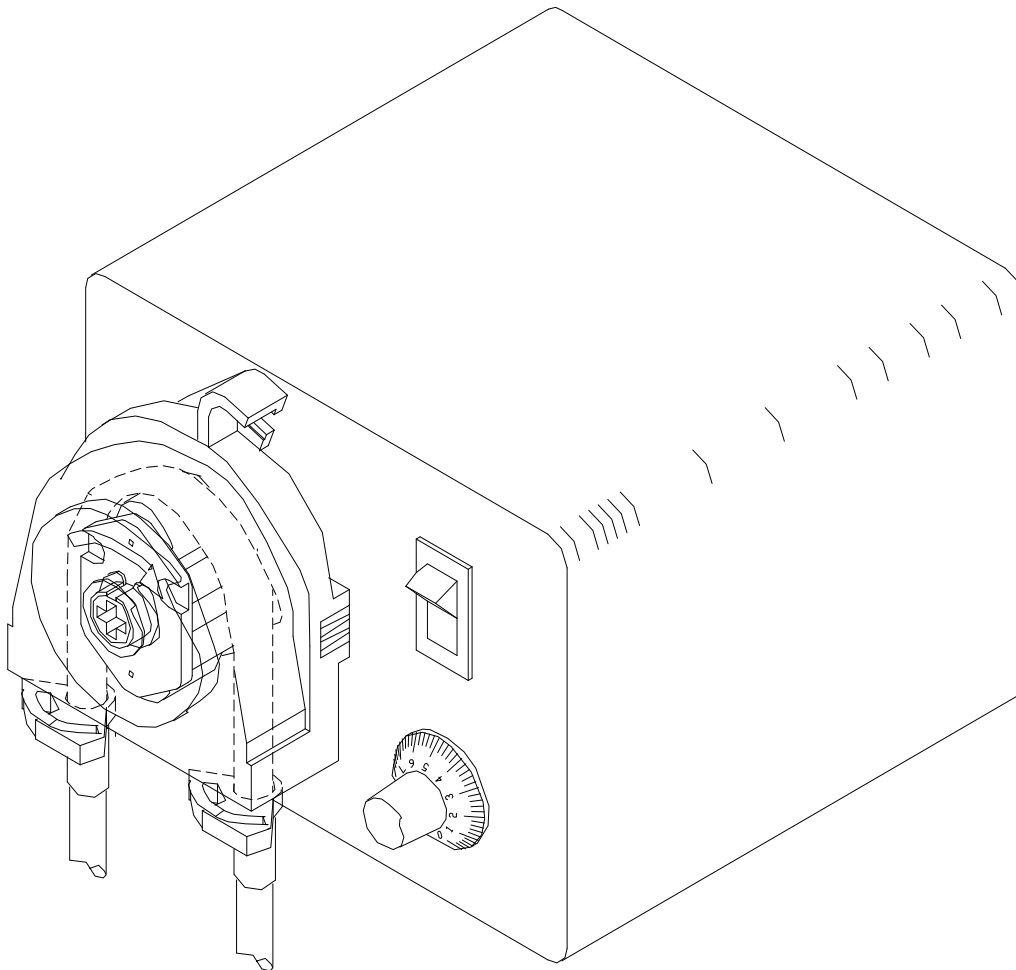


DOLPHIN SERIES

Installation, Operation and Maintenance Manual



**LIQUID CHEMICAL SOLUTION and
SLURRY METERING PUMPS**
Dolphin-10, Dolphin-50 and Dolphin-75 Models

**READ ALL WARNINGS CAREFULLY BEFORE
INSTALLING PUMP**

PUMP DATA/SPECIFICATIONS

Fill in information from pump data label

Series: _____

Serial #: _____

Model #: _____

Nominal output: _____

Maximum pressure: _____

Volts/Hz/Amps/Phase: _____

KOPkit® #: _____

Tubing material/size: _____

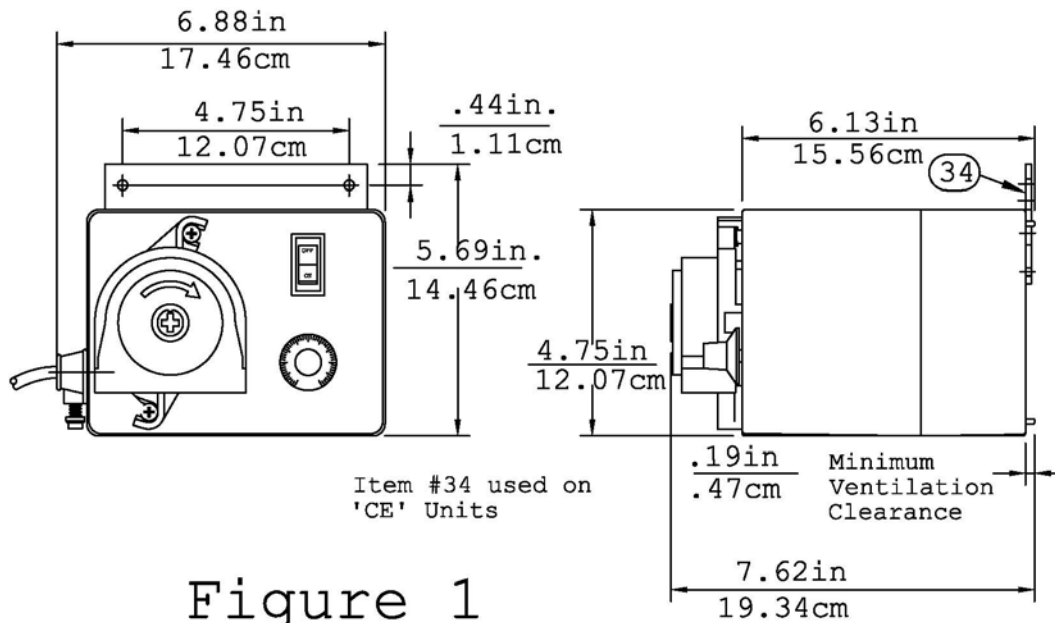


Figure 1

WARRANTY:

The manufacturer warrants its equipment of its manufacture to be free of defects in material or workmanship. Liability under this policy extends to twenty-four (24) months from the date of purchase or one (1) year from date of installation or whichever comes first. The manufacturer's liability is limited to repair or replacement of any device or part, which is returned, prepaid, to the factory and which is proven defective upon examination. This warranty does not include installation or repair costs and in no event shall the manufacturer's liability exceed the selling price of such part.

The manufacturer disclaims all liability for damage to its products through improper installation, maintenance, use or attempts to operate such products beyond their functional capacity, intentionally or otherwise, or any unauthorized repair. Replaceable elastomeric parts are expendable and are not covered by any warranty either expressed or implied. The manufacturer is not responsible for consequential or other damages, injuries or expense incurred through use of its products.

The above warranty is in lieu of any other warranty, either expressed or implied. The manufacturer makes no warranty of fitness or merchantability. No agent of ours is authorized to make any warranty other than the above.

DOLPHIN SERIES

TABLE of CONTENTS

SAFETY INSTRUCTIONS	PAGE 3
TECHNICAL SPECIFICATIONS	PAGE 4
MATERIAL OF CONSTRUCTION	PAGE 4
INSTALLATION	PAGE 4
OPERATION	PAGE 5
MAINTENANCE	PAGE 6
WIRE DIAGRAM	PAGE 8
ASSEMBLY DIAGPHRAM / PARTS LIST	PAGE 8

SAFETY INSTRUCTIONS

READ ALL INSTRUCTIONS PRIOR TO USE

▲ DANGER : Secure chemicals and metering pumps, making them inaccessible to children and pets.

DO NOT PUMP FLAMMABLE LIQUIDS.

To reduce risk of electric shock before maintenance, repair, or moving pump, disconnect power cord and de-pressurize system and drain chemical.

Do not cut the plug or ground lug off the electrical cord. Consult a licensed electrician for proper installation.

▲ WARNING : Always wear protective clothing, including gloves and safety glasses, when working on or near chemical metering pumps.

Inspect tubing regularly for cracking or deterioration and replace as necessary. **Always wear protective clothing and safety glasses when inspecting tubing.**

Use **CAUTION** to keep fingers away from rotating parts.

If pump is exposed to direct sunlight, use UV resistant tubing.

Follow directions and warnings provided from the chemical manufacturer. The user is responsible for determining the chemical compatibility with the chemical feed pump.

Make sure the voltage on the pump name tag matches the installation voltage. If pump fails to start, check line voltage.

Consult with local health officials and/or qualified water conditioning specialists when treating potable water.

Always depressurize system prior to installation or disconnecting the metering pump tubing.

If injection point is lower than the chemical tank and pump, install an anti-siphon valve.

DO NOT MODIFY PUMP. This poses a potentially dangerous situation and will void the warranty.

▲ CAUTION : All pumps are factory tested with water. Remove tubing and thoroughly dry if the chemical being pumped will react with water (i.e., sulfuric acid).

Hand tighten plastic connections (**Do not use wrench**).

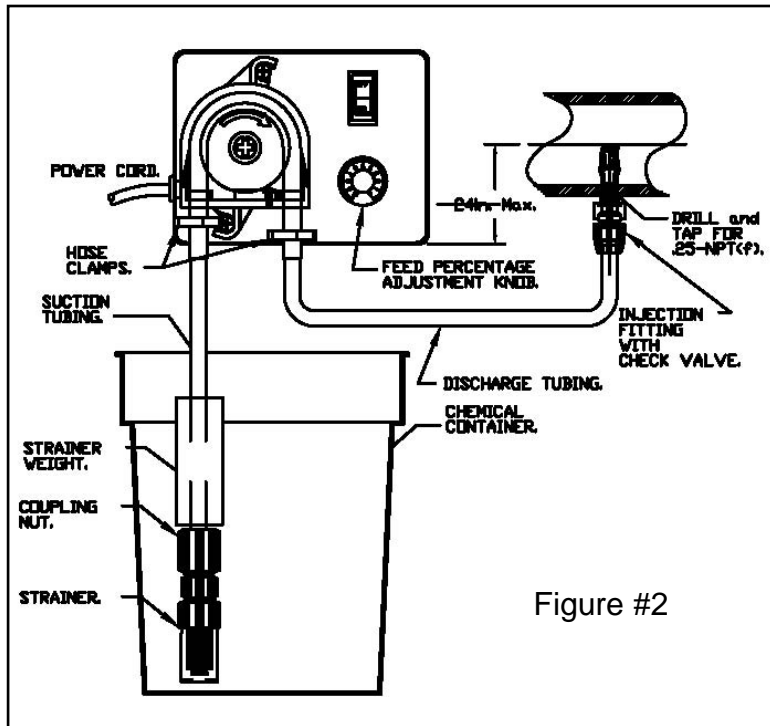
Consult licensed plumber and electrician before installation to conform to local codes.

NOTE: For accurate volume output, pump must be calibrated under all operating conditions

Technical specification

Feed Rate:	Refer to name plate	Dimensions:	See Figure #1
*Model 10 LPH	min. 0.13 gal/day, 0.49-LPD	Electrical Rating:	Refer to name plate
*Model 10	max. 13.0-gal/day, 49-LPD, 2-LPH	Maximum Ambient Temperature:	104°F (40°C)
*Model 50	min. 0.68-gal/day, 2.57-LPD, 0.11-LPH	Maximum Pressure:	25-PSI, 1.6 bar
*Model 50	max. 60.0-gal/day, 227-LPD, 9.46-LPH	Materials of Construction	
*Model 75	min. 0.97-gal/day, 3.67-LPD, 0.15-LPH	Pump Head:	Chemical Resistant Resin
*Model 75	max. 97.0-gal/day, 367-LPD, 15.3-LPH	Pump Head Tubing:	Special Approved Synthetic Rubber
		Injection Fitting (standard w/check valve):	PVC
		Suction/Discharge Tubing:	Polyethylene
*Denotes approximate feed rates. Actual output must be measured at time of application		Pump Housing:	Chemical Resist Resin

INSTALLATION



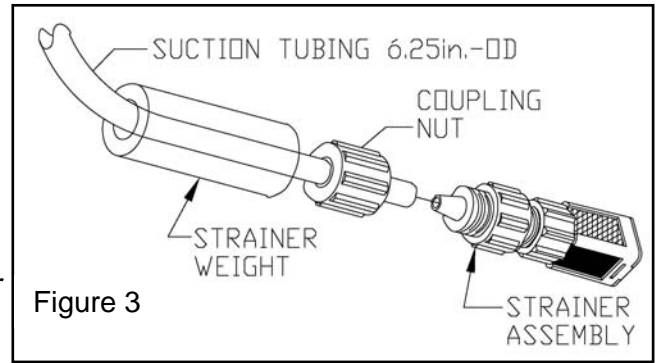
1. **Mounting:** Locate the feeder so there is direct access to the power cord plug.
CAUTION DO NOT POSITION SO THAT COOLING VENTS IN THE REAR OF THE CASE ARE OBSTRUCTED, .19in. (4.7mm) minimum ventilation clearance is required.
2. For 'CE' approved units the bracket mount (Item #34 on page 2) must be utilized for stationary mounting of pump.
3. **Alternate mounting** (not approved for 'CE'): Set the feeder on a flat level surface that will support its weight. The feeder should be mounted on its 4 (four) rubber feet (or use keyholes on back for wall mounting (4.75in./12.60cm typical spacing). Locate the feeder so there is direct access to the power cord plug.

4. **Electrical** - Verify the electrical requirements for the pump as listed on the name plate and connect to an appropriate electrical source in compliance with local codes for the specific application.
5. **Injection Fitting** - Relieve system pressure in the drain piping run where the injection fitting is to be installed. See Figure #2. **The injection fitting must not be installed in a dead end pipe or a deeply recessed tee. It should be installed so as to place the tip at the center of the fluid stream.** The injection fitting has .25-NPT threads. If necessary drill a .44in.-diameter hole and using care not to tap to deeply, tap for .25-NPT. Apply plumbers tape to the injection fitting threads and install into piping system. **DO NOT REMOVE THE PLASTIC SLEEVE ON THE TIP OF THE FITTING.** It is a functional part. **CAUTION** Inspect piping system and eliminate piping cross-connections to prevent feeding chemical to areas not needing treatment.
6. **Suction and Discharge Tubing** - Take the 15-ft. (4.5m) length of .25in.-dia. tubing included, measure and cut the lengths needed to run from the pump head to the injection fitting, and to the chemical tank (Figure #2). Cut the tubing ends square.
7. Refer to maintenance section to install the pump head tubing.

INSTALLATION (continued)

8. **Connect discharge tubing to the injection fitting**-Remove the injection fitting nut slide it over the end of the tubing. Push the end of the tubing onto the injection fitting. Note: Immerse tubing in hot water to soften prior to pushing on fitting. Turn on and tighten the nut firmly, **Hand tighten only do not use wrenches.**

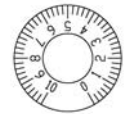
9. **Connect suction tubing to strainer** - Install strainer so it is off the bottom of the chemical container 1-2 inches (2.5-5cm) see Figure #3. Measure suction tubing length required. Cut tubing end square and install on suction fitting of the pump. **Hand tighten only do not use wrenches.**



OPERATION

1. Fill the chemical tank with the chemical you will feed.
2. Turn the feeder switch on to start the pump. Turn the feed percentage knob to "10". It will begin to feed chemical into the system when all tubing has filled.

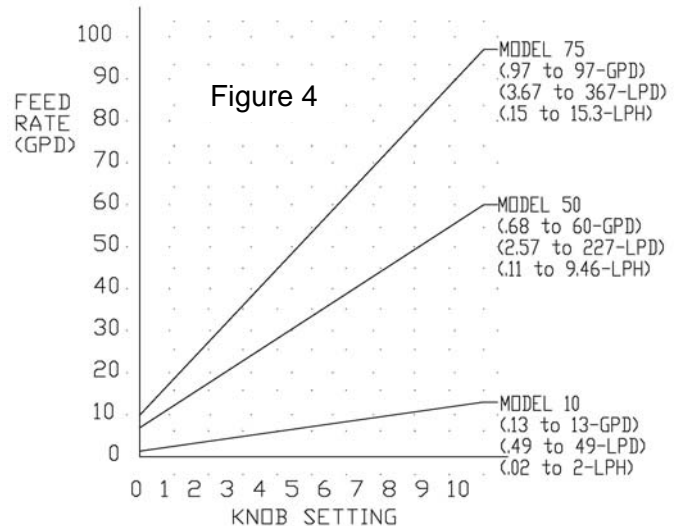
3. **Set the feed percentage adjustment knob** - Turn the knob to achieve the desired feed rate, according to the chart shown in Figure #4. For example, to feed approximately 34-gallons (128-liters) per day with the DOLPHIN-50, set the knob at "5".



FEED PERCENTAGE
ADJUSTMENT KNOB

4. The numbers on the dial represent minutes of run time within a 10-minute cycle. For example, a setting of "3" will run the pump for approximately three minutes. This cycle will repeat as long as power is supplied or unless the dial setting is changed. When feeder is turned on, the current setting will run a complete cycle starting with the run time.

NOTE: To get actual feed rates for specific settings, actual output must be verified by measuring volume output. Use the flow chart as a guide (Figure #4). To get actual feed rate for specific setting each pump must be calibrated for its flow. As with any peristaltic pump output varies with pressure and tubing condition. It is recommended that feed rate be verified at every tubing change and after every 250-hours. More critical applications require more frequent verification.



Pumps carrying the 'NSF' seal or the 'ETL Sanitation' seal are listed for swimming pools, spas and hot tubs, and when proper materials are selected, are capable of handling but not limited to the following chemical solutions:

12% ALUMINUM SULPHATE,	5% SODIUM CARBONATE,
2% CALCIUM HYPOCHLORITE,	10% SODIUM HYDROXIDE,
12.5% SODIUM HYPOCHLORITE,	10% HYDROCHLORIC ACID.

MAINTENANCE

NOTE: NO USER SERVICEABLE COMPONENTS INSIDE ENCLOSURE. SHOULD THE POWER SUPPLY CORD BECOME DAMAGED, IT MUST BE REPLACED BY PULSAFEEDER or IT'S REPRESENTATIVES or A SIMILARLY QUALIFIED PERSON IN ORDER TO AVOID A HAZARD.

⚠ DANGER Do not attempt to feed chemicals without consulting your chemical feeder dealer or chemical supplier.

Filling the chemical tank - To avoid running out of chemical, follow a regular schedule of monitoring chemical supply. Also inspect and clean the strainer by flushing with a compatible liquid, as needed.

⚠ CAUTION Inspect peristaltic tubing frequently and replace when deterioration becomes apparent. Peristaltic tubing will eventually wear and break if neglected. This occurrence will cause chemical spillage and potential for personal injury or damage to equipment. If a potential hazardous or corrosive chemical is handled, take precautions to prevent personal injury and damage in the event of tubing failure. Refer to chemical manufacturer's recommendations with regard to safety and handling precautions. Always wear protective clothing and safety glasses when working near chemical feed systems.

⚠ CAUTION Do not expose pump head tubing to pressure over 25-PSIG (1.76-kPa).

Tubing inspection: inspect all tubing regularly and replace it if deteriorating. Use the following instructions to replace the pump head tubing.

Replacing pump head tubing:

⚠ CAUTION Wear protective gloves, goggles and other adequate protection for the chemical hazard. Before replacing the pump head, remove chemical from tubing as follows: Remove strainer from chemical tank, then run feeder until all chemical is removed from the tubing.

1. Remove the hose clamps from the tubing at the pump head (twist clamp to disengage teeth).
2. Pull the suction and discharge tubing from the pump head tubing.
3. Rotate the pump head counter-clockwise (see arrows in Figure #5) to disengage from the collars on the feeder cover. **DO NOT REMOVE or LOOSEN COLLAR SCREWS.**
4. Grasp the tabs on the back cover of the pump head and pull straight out to remove. **⚠ CAUTION Do not lose the bearing from the center hole in the back cover.** It's not necessary to remove the spider and bearing from the housing.
5. Remove the old tubing and retaining tube collars from the pump head (Figure #6).
6. Position the spider about as shown in Figure #6. Then put the retaining tube collar on the pump head tubing as shown, and position the tube collar in the pump head with the open end facing outward.

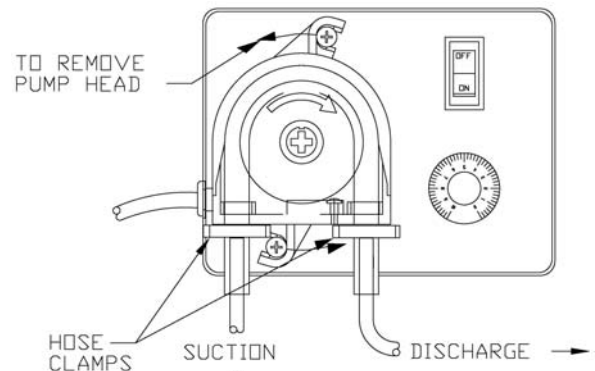


Figure 5

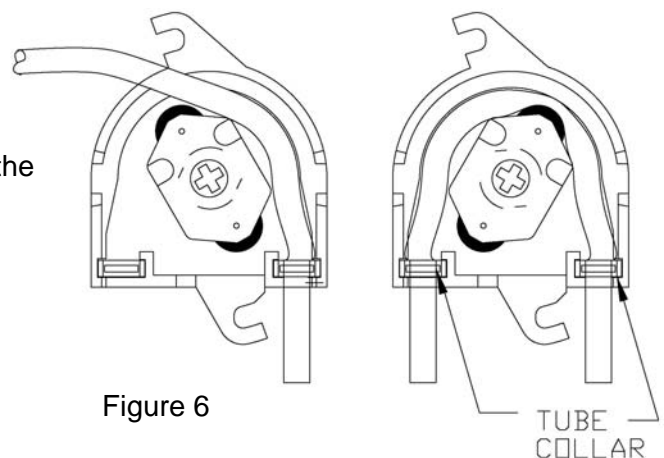


Figure 6

7. While rotating the spider counter-clockwise, push the tubing into the housing to center over the rollers as shown in Figure #6.
8. Replace the back cover on the pump head. **Be sure it fits tightly against and flush with the housing (Figure #7).**
9. Slide the pump head onto the motor drive shaft and turn it clockwise to lock onto the 2 (two) locking collars.
10. Push the suction tubing and discharge tubing into the pump head tubing until they reach the bottom of the pump head. Do not push the tubing past the tube collars. (See Figure #5). Install a hose clamp to hold the tubing together. The hose clamp on the suction side should be as close as possible to the pump head. Use pliers to squeeze the clamp tightly. **⚠ CAUTION** Hose clamps must be tightened securely to prevent leakage, except when using .13in. I.D. Noprrene tubing with barb fittings (no clamps).

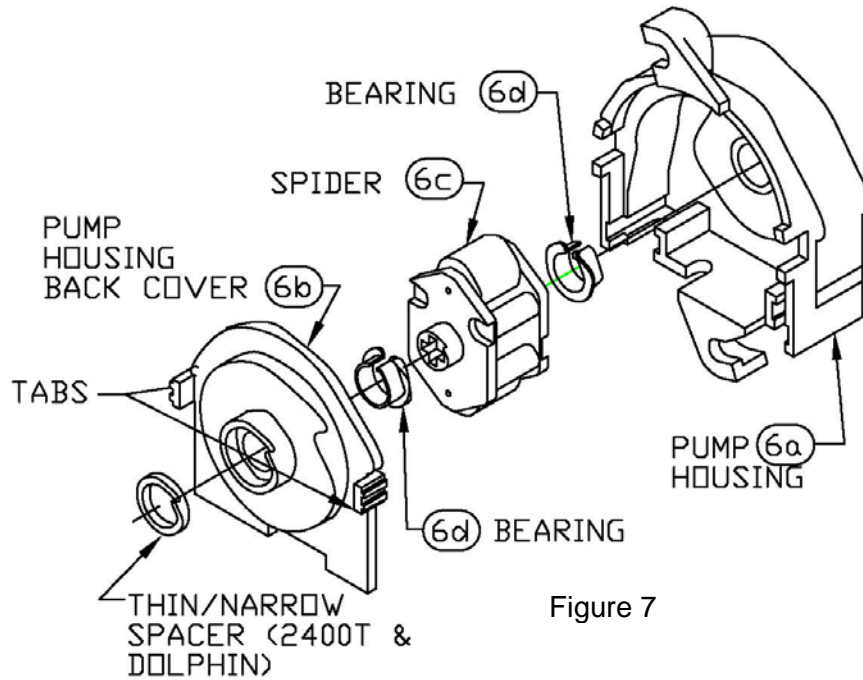


Figure 7



sales@novatech-usa.com

www.novatech-usa.com

Tel: (866) 433-6682

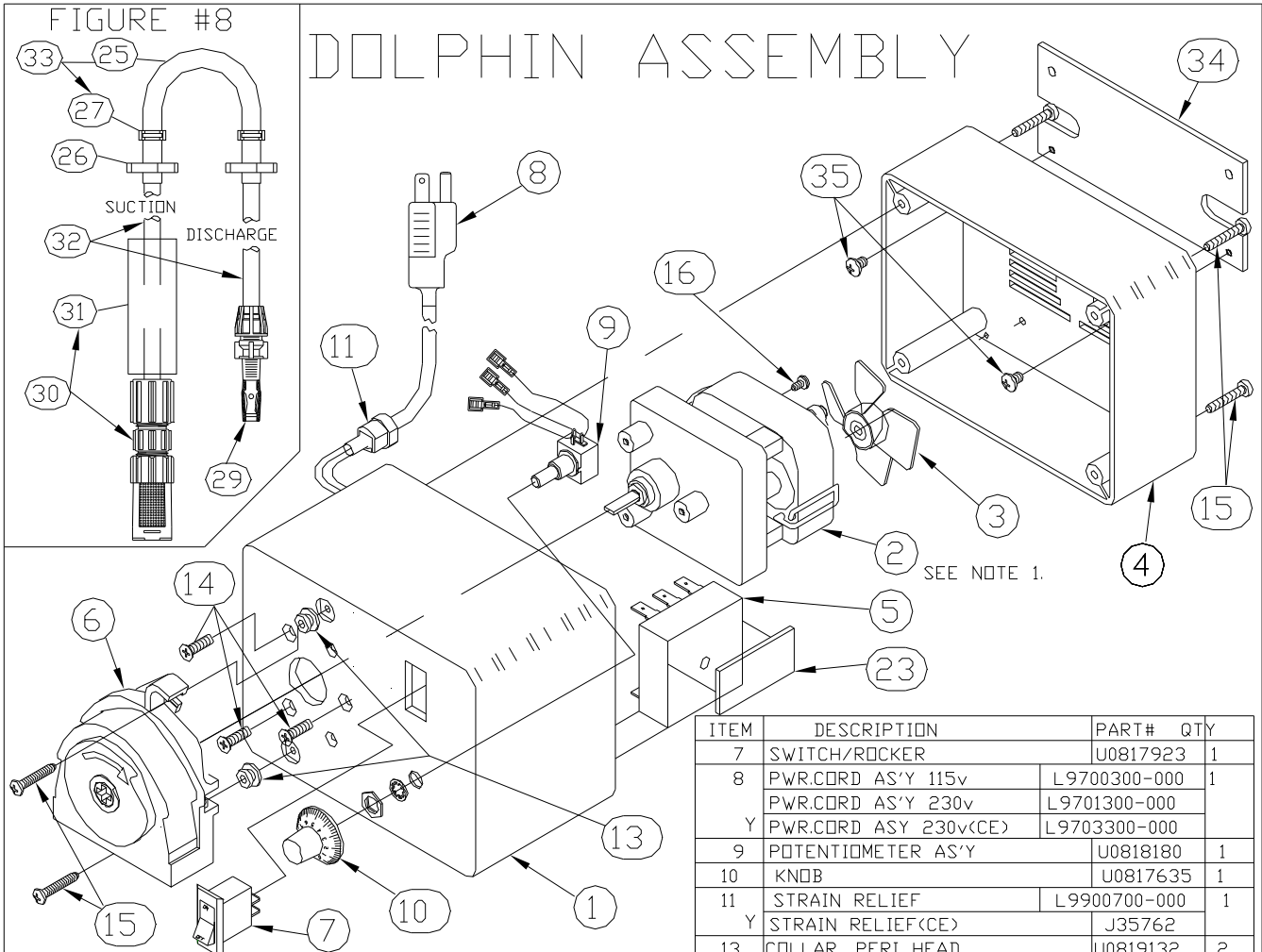
Fax: (866) 433-6684

Tel: (281) 359-8538

Fax: (281) 359-0084

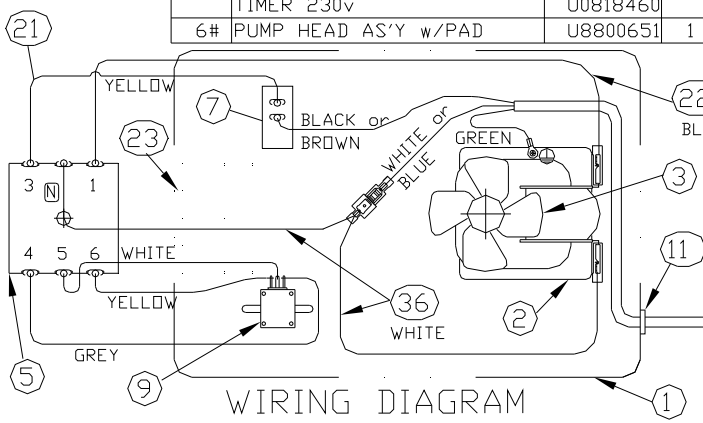
FIGURE #8

DOLPHIN ASSEMBLY



ITEM	DESCRIPTION	PART#	QTY
1	PUMP HOUSING	U0819142	1
	Y PUMP HOUSING<CE>	U0819173	
2	KIT, MOTOR 10-rpm 115v	U0818616	1
	KIT, MOTOR 10-rpm 230v	U0818617	
	KIT, MOTOR 50-rpm 115v	U0818618	
	KIT, MOTOR 50-rpm 230v	U0818619	
	KIT, MOTOR 75-rpm 115v	U0818620	
	KIT, MOTOR 75-rpm 230v	U0818621	
3	FAN, DOLPHIN-10 only	U0818564	1
	FAN, DOLPHIN-50/75	U0818565	
4	PUMP COVER	U0819143	1
	Y PUMP COVER<CE>	U0819146	
5	TIMER 115v	U0818183	1
	TIMER 230v	U0818460	
6#	PUMP HEAD AS'Y w/PAD	U8800651	1

ITEM	DESCRIPTION	PART#	QTY
7	SWITCH/ROCKER	U0817923	1
8	PWR.CORD AS'Y 115v	L9700300-000	1
	PWR.CORD AS'Y 230v	L9701300-000	
	Y PWR.CORD ASY 230v<CE>	L9703300-000	
9	POTENTIOMETER AS'Y	U0818180	1
10	KNOB	U0817635	1
11	STRAIN RELIEF	L9900700-000	1
	Y STRAIN RELIEF<CE>	J35762	
13	COLLAR, PERI HEAD	U0819132	2
14	SCREW,#10-32 x .68-lg.	U0817942	3
15	SCREW,#8-18 x 1.0-lg	L9806200-188	6
16	SCREW,#6-32 x .25-lg.	U0812955	1
21	LEAD<YEL> AS'Y,	U0817630	1
22	LEAD<BLK> AS'Y,	L9700600-000	1
23	TAPE, DBL. SIDED	U0020522	1in.
25	TUBE<NDR>, 6.44-PERI HD.	U0817926	1
26	HOSE CLAMP	U0817742	2
27	TUBE COLLAR	U0817123	2
29	INJECTION FITTING	U8800712	1
30*	STRAINER AS'Y	J60552WT	1
31	STRAINER WEIGHT	L9906700-000	REF
32	TUBING<PE>,.25in.O.Dx20-Ft	U8800431	1
33+	KIT, .44 PERI HD TUBE<NDR>	U8800637	REF
34Y	BRACKET, PUMP MOUNTING	U0819178	1
35Y	SCREW, #10-32 x .25-lg.	U0811205	2
36	LEAD AS'Y, Y-CONN	NC970015-000	1



WIRING DIAGRAM

= INCLUDES ITEMS #6a thru 6d.
 + = INCLUDES TWO COLLARS(ITEM #27).
 * = INCLUDES WEIGHT(ITEM #31).
 Y = USED ON 'CE' APPROVED PUMPS.
 NOTES: 1. MOTOR KITS(ITEM#2) ALSO INCLUDE ITEMS #3, #16, #21, AND #22.
 2. ALL WIRES MUST BE PLACED and/or SECURED TO CLEAR FAN BLADES(ITEM#3).
 3.

US COLORS	WIRING	EURO COLORS
WHITE	= NEUTRAL	= BLUE
BLACK	= LINE	= BROWN
GREEN	= EARTH	= GREEN w/ YELLOW.

SEE NOTE 3. U0818236; K10