

# PULSAFEEDER®

Chemical solution and slurry metering pumps designed, engineered, and built to last. The pump case is molded of a rugged, chemical resistant ABS. Mounting pads and a built-in wall mounting bracket allow a choice of flat surface or wall mounted installation.

The thermal or impedance protected gear motor is safe, quiet and dependable. All metal gearing parts are heat-treated and the output shaft is supported by heavy-duty bearings.

The feeder head is molded of UV and acid resistant polycarbonate and is designed to snap on and off without tools.

A 10-minute solid-state electric current interrupter is a standard feature, built into every MEC-O-MATIC Dolphin Series pump.

## Features

- x Feed rates from 13 gpd (2.05 lph) to 97 gpd (15.3 lph) at 25 psi (1.72 bar).
- x Pump case is molded chemical resistant ABS.
- x Thermal or impedance protected gearmotor is safe, quiet and dependable.
- x All metal gearing parts are heat-treated.
- x Output shaft is supported by heavy duty bearings.

## Controls

- x On/Off Switch
- x 10 minute solid state electronic current interrupter

## Operating Benefits

- x Quick-release, twist-off, clear polycarbonate, acid-resistant head.
- x Self-lubricating chemical resistant roller assembly.
- x Durable, long-lasting tubing with no tube adjustment.
- x Heavy duty shaded pole gearmotor with lifetime lubrication.

## After market

- x KOPkits
- x Gauges
- x Dampeners
- x Pressure Relief Valves
- x Tanks
- x Pre-Engineered Systems
- x Process Controllers (MicroVision)



Contact factory  
for applicable  
agency approvals.

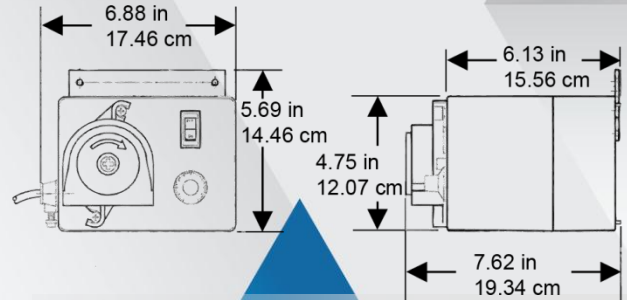
## Dolphin Series Peristaltic Metering Pumps

# MEC-O-MATIC Dolphin Series

## Specifications and Model Selection

MODEL		UD10	UD50	UD75
Feed Rate (max.)	GPD	13	60	97
	LPH	1.75	8.7	12.4
CC per Minute	60 Hz	34	158	255
	50 Hz	29	145	212
Rev per Minute		10	50	75
Pressure (max.)	PSIG	25		
	BAR	1.72		
Head	Tubing	.25" I.D. x .44" O.D.		
Connection	Tubing	.17" I.D. x .25" O.D.		

## Dimensions



## Engineering Data

**Pump Head Materials:** Chemical Resistant Resin

**Pump Head Tubing:** Synthetic Rubber

**Injection Fitting  
(standard w/check vlv):** PVC

**Strainer:** FPP

**Tubing:** PE

**Pump Housing:** Chemical Resistant Resin

Important: Material Code - PVC=Polyvinyl Chloride, PE=Polyethylene.

**Power Input:** 115 VAC/60 HZ  
230 VAC/50-60 HZ

### Average Current Draw:

#### @ 115 VAC; Amps:

Model UD10 .42 Amps  
Model UD50 .62 Amps  
Model UD75 .72 Amps

#### @ 230 VAC; Amps:

Model UD10 .30 Amps @60Hz / .35 Amps @50Hz  
Model UD50 .34 Amps @60Hz / .40 Amps @50Hz  
Model UD75 .36 Amps @60Hz / .42 Amps @50Hz

**Shipping Weight:** 7 lbs

## Applications

- Cooling Towers
- Swimming Pools
- Boilers
- Agriculture
- Laundries
- Livestock
- Food Processing
- Residential Water Treatment
- Car Washes
- Photo Processors
- Metal Finishing
- Warewashing

## Typical Installation



**novatech**  
INTERNATIONAL<sup>L</sup>

sales@novatech-usa.com

www.novatech-usa.com

Tel: (866) 433-6682

Fax: (866) 433-6684

Tel: (281) 359-8538

Fax: (281) 359-0084

**PULSAFEEDER**

27101 Airport Road  
Punta Gorda, FL 33982  
Phone: ++1(941) 575-3800  
Fax: ++1(941) 575-4085

www.pulsatron.com



An ISO 9001 Certified Company

MOM003 B15

**IPEX**  
FLUID & METERING