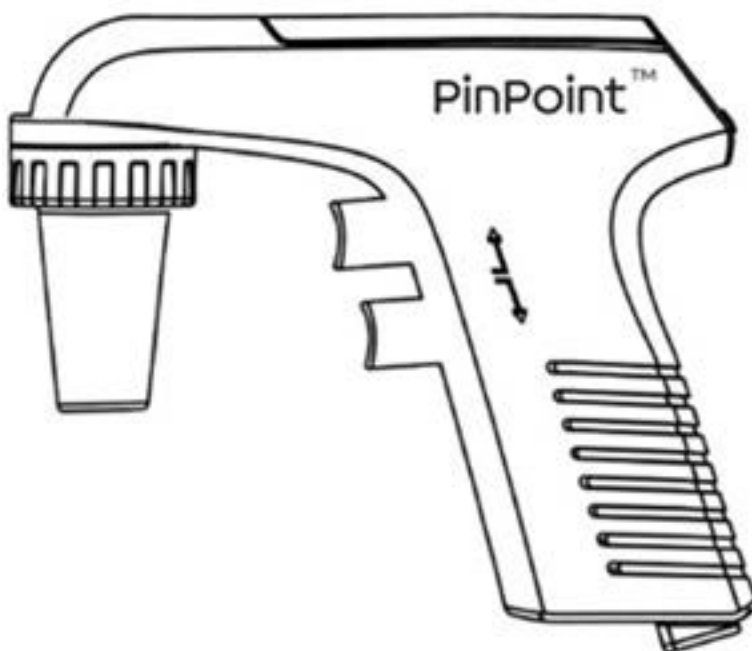


United Scientific PinPoint™ Pipette Controller User Manual



Contents

1. Product Introduction.....	1
2. Unpacking And Preparing The Pipette Controller.....	1
3. Charging The Pipette Controller	2
4. Specifications & Pipette Controller Overview.....	3
5. Pipette Controller Description.....	4
6. Operating The Pipette Controller	5
7. Maintenance.....	6
8. Storage.....	8
9. Troubleshooting.	8
10. Parts Ordering Information.....	9
11. Warranty Information.....	9
12. Declaration Of Conformity.....	9

1. Product Introduction

The pipette controller has been carefully designed to be lightweight, accurate, fast, and easily rechargeable. The pipette controller offers simple, efficient pipetting performance and an ergonomic design for comfort. It can be used with plastic or glass pipettes ranging from 0.1 mL-100 mL.

2. Unpacking and Preparing the Pipette Controller

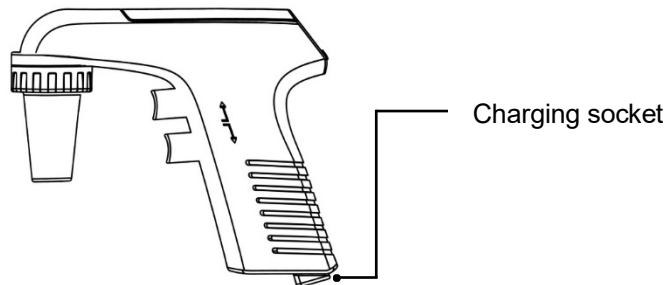
The pipette controller package contains the following items:

- Pipette Controller
- AC adapter with USB connection
- 0.45 μ m hydrophobic filter
- User Manual
- Wall mount
- Two-position desk stand

If you are missing any of the above items, please contact United Scientific.

3. Charging the Pipette Controller

Before first using, the battery must be charged for a minimum of 4-5 hours.



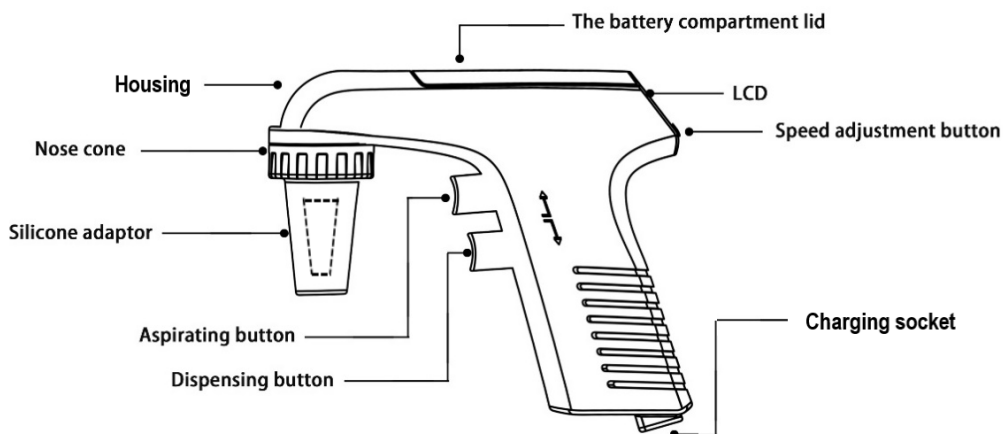
- Before connecting the AC adapter to the electrical outlet, check that its voltage setting corresponds to the voltage of your electrical outlet.
- Connect the AC adapter to the electrical outlet and to the charging socket at the base of the pipette controller handle.

Note: The pipette controller should only be charged with the AC adapter provided. An icon on the LCD display indicates the level of battery charge; the more bars, the greater the charge. The pipette controller is designed to prevent overcharging of the battery and allows for charging at any battery level.

4. Specifications

Housing	Polypropylene (PP)
Nose cone	Polyvinylidene fluoride (PVDF)
Filter	Hydrophobic membrane, 0.45 μm
Dimensions	L x W x H: 16 cm x 3 cm x 14.5 cm
Weight	0.44 pounds (200 grams)
Power supply	Input voltage: AC 100-240V Output voltage: 4.2V, 500 mA
Unit: input voltage	4.5V
Battery	Rechargeable lithium-ion 3.7V, 2000 mA
Battery charging time (if fully discharged)	4-5 hours

4.1. Pipette Controller Overview



5. Pipette Controller Description

5.1. Operating Buttons

The Pipette Controller has two operating buttons located at the front of the handle. The upper button enables aspiration, and the lower button allows for dispensing. The aspiration and dispensing speeds can be fine-tuned during use by applying varying finger pressure on the operating buttons.

5.2. Speed Adjustment Button

The speed adjustment buttons are located under the LCD. The desired speed is set by pushing the speed adjustment button.

5.3. Nose Cone and Silicone Adaptor

The pipette controller includes the nose cone and silicone adaptor. The silicone adaptor enables a pipette to fit securely in place, which creates a proper vacuum level and prevents leakage. Both nose cone and silicone adaptor are autoclavable at 121°C.

5.4. Filters

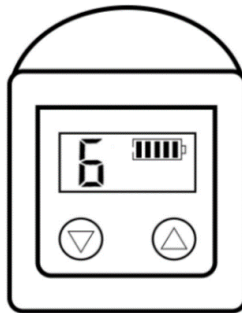
Removing the nose cone and silicone adaptor exposes a hydrophobic filter (0.45 micron). The filter protects the pipette controller from accidental over-aspiration. It is strongly recommended to use only the original filters supplied by United Scientific with the pipette controller.

Note: The pipette controller cannot be operated without a filter. Wetting of filter due to overfilling will slow or prevent fluid movement. If overfilling occurs, change the filter immediately.

6. Operating the Pipette Controller

6.1. Setting the Operating Speed

The button located under the digital display at the upper part of the handle, allows you to set your aspiration and dispensing speeds. Six speeds are available for each function. Simply push “△” for faster and “▽” for slower speeds. Your selection will be displayed on the LCD screen.



Note: The aspiration and dispensing speeds can be fine-tuned during use by applying a varying amount of finger pressure to the operating buttons.

6.2. Inserting a Serological Pipette

Gently push a serological pipette into the silicone adapter and ensure that it fits securely. To insert the serological pipette safely, hold the pipette controller firmly by the nose cone and the serological pipet from the top end of the tube.

6.3. Aspiration

- Select a speed and fill the pipette by pressing the aspirating button. Fill the pipette just above the desired level, check level by the meniscus.
- Adjust the pipette volume by pressing the dispensing button until the meniscus is at the required level.

6.4. Dispensing

The pipette controller offers two different dispensing modes:

- If the dispensing button is pressed only partially, the dispensing function will be based on the force of gravity and the liquid will simply flow out.
- Pressing the dispensing button further will engage the motor and activate the blow-out function.

Note: Finger pressure can be varied to fine-tune the speed within each mode.

6.5. Other Pipetting Recommendations

- Never use with highly flammable liquids.
- Never use the instrument in an atmosphere with danger of explosion.
- Never use force with the pipette controller.
- Should the instrument fail to function properly, stop pipetting and check the Troubleshooting section.

7. Maintenance

The pipette controller has been designed for easy in-house maintenance.

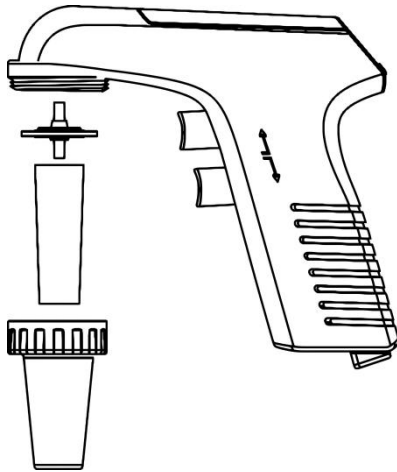
7.1. Cleaning

The pipette controller can be cleaned with most common lab disinfectants including isopropanol and wiped dry with a clean cloth.

7.2. Changing the Nose Cone, Silicone Adapter, and Filter

To change the nose cone, silicone adapter and filter: firmly hold the nose cone by the ribbed collar, rotate the nose cone counter-clockwise until completely loose and remove the nose cone as well as the silicone adapter. The filter can be pulled out once the nose cone and the silicone adapter have been removed. Position the new filter with the non-printed side towards silicone adapter. To reassemble, insert the adapter and nose cone and twist the nose cone gently clockwise.

Note: It is recommended to check and clean the silicone adapter every six months, or when necessary to prevent a loss of vacuum. If there is a loss of vacuum, please contact United Scientific.



The pipette controller cannot be operated without a filter. Wetting of filter due to overfilling will slow or prevent fluid movement. If overfilling occurs, change the filter immediately. Only use filters supplied by United Scientific.

7.3. Changing the Battery

- Remove the lid of the battery compartment by sliding back.
- Replace with new battery in the same orientation.
- Reattach the lid.

8. Storage

The pipette controller should not be stored for a long period of time without removing the serological pipette. It is recommended to disconnect the pipette controller from the AC adapter if the unit is not used for a lengthy period of time.

9. Troubleshooting

Problem	Cause	Solution
Slow aspiration	<ul style="list-style-type: none">- Filter blocked, dirty or damaged- Battery low	<ul style="list-style-type: none">- Replace the filter- Recharge
Serological pipette drips	<ul style="list-style-type: none">- Serological pipette not securely attached- Silicone adapter or nose cone loose- Silicone adapter or nose cone damaged	<ul style="list-style-type: none">- Reattach serological pipette- Reassemble silicone adapter or nose cone- Replace silicone adapter or nose cone
Reduced operating time	<ul style="list-style-type: none">- Battery worn	<ul style="list-style-type: none">- Replace battery
No display	<ul style="list-style-type: none">- Low or dead battery- Battery not plugged in correctly- Circuit board issue	<ul style="list-style-type: none">- Recharge or replace battery- Check battery orientation- Contact United Scientific

10. Parts Ordering Information

Item #	Description
UNPINPNT02	United Scientific® PinPoint™ Silicone Adapter
UNPINPNT03	United Scientific® PinPoint™ Nosecone
UNPINPNT04	United Scientific® PinPoint™ 0.45 µm Filters
UNPINPNT05	United Scientific® PinPoint™ 0.22 µm Filters

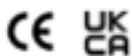
11. Warranty Information

The pipette controller is warranted for one year from date of purchase against defects in materials and workmanship (battery is warranted for three months) providing: unit hasn't been opened / tampered with by end user, user ensures unit has been cleaned & decontaminated, and unit has been operated according to these instructions. Should your pipette controller fail to function according to specifications at any time, please contact United Scientific. The warranty will not cover defects caused by normal wear or by a breach of this User Manual's recommendations. Each pipette controller is tested before shipping.

12. Declaration of Conformity

This device complies with Canadian ICES-001.

We certify this product meets the requirements of the applicable EU directives and UK regulations. This unit has been tested according to the specified test methods.



United Scientific
1001 Technology Way
Libertyville, IL 60048
+1-847-336-7556
www.unitedsci.com

Made in China
Rev. 01